



Grant Engineering UK Ltd

FITTING INSTRUCTIONS for OUTDOOR BOILER LOW PRESSURE SWITCH KIT – Part No. MPCBS63

**For use with the following Grant Outdoor Boilers:
Vortex Eco, Vortex Pro Outdoor Modules, Vortex Wall-hung, Euroflame, MultiPass
Outdoor Modules and MkII Outdoor Combi boilers.**

IMPORTANT – This pressure switch kit is NOT SUITABLE for use with any Grant White Cased Indoor Boilers or Boiler House models. Use only Kit Ref. MPCBS62 for these Indoor models.

General

This pressure switch kit is intended for use on domestic sealed heating systems and, if correctly installed, will shut off the boiler and burner if the system pressure drops below 0.2 bar.

Important: Grant UK recommends the use of this pressure switch on all sealed heating systems using plastic pipe, or where the boiler is the highest point of the system.

Kit contents

- 2 x Pressure switch c/w 1.65m long flying lead
- 1 x 4-way terminal block
- 2 x 1/4"x1/2" BSP bush

Location of pressure switches

The pressure switches should be located in the heating system RETURN pipe inside the boiler casing – using suitable fittings to provide 2 x 1/2" BSP female connections (not supplied), either at the rear of or above the boiler – depending on the route used for the return pipe. Whatever location is chosen, ensure that the pressure switches are accessible for checking or replacement.

Route the leads from the pressure switches inside the casing - over the top of the boiler (or down the side in the case of the wall-hung boiler). Feed them through the grommet and cable clamp to the 4-way terminal block (supplied in the kit) positioned inside the control panel. Ensure that the pressure switch leads are secured in the cable clamp and that the 4-way terminal block is located safely within the control panel.

Fitting the pressure switches

1. Fit two suitable 1/2" BSP female connections (not supplied) in the RETURN pipe – within 150mm of the boiler
2. Using suitable thread sealant or PTFE tape on the threads
 - a) Screw the 1/4" BSP brass connector on each pressure switch into the bushes, and
 - b) Fit the bushes into the 1/2" BSP female connections on the return pipe.

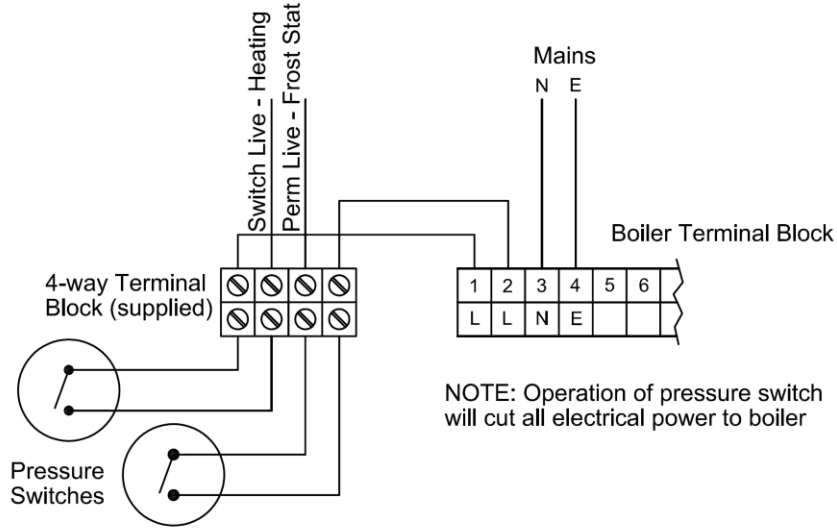
Electrical connection of pressure switch

On Outdoor Modules and Outdoor Combi boilers the pressure switches must interrupt the live supply to the burner and circulating pump – shutting them off if the pressure switches are operated. Refer to the wiring diagrams on the other side of this sheet for the correct connection arrangement for the boiler in question.

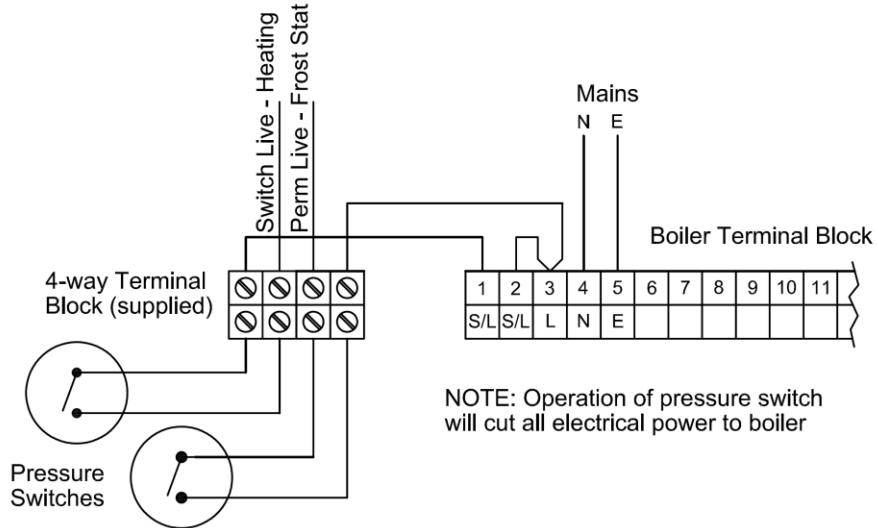
The electrical installation of these pressure switches must be carried out by a competent electrician and should conform to BS7671:2008 - IEE Wiring Regulations 17th Edition (including any amendments).

PRESSURE SWITCH WIRING DIAGRAMS

PRESSURE SWITCH CONNECTION DIAGRAM FOR THE FOLLOWING GRANT BOILERS:
 VORTEX - ALL OUTDOOR MODULES (including SYSTEM MODELS)
 VORTEX EXTERNAL WALL HUNG - ALL MODELS (including BOILERS WITH SYSTEM KITS)
 MULTIPASS 90/140 OUTDOOR MODULES
 EUROFLAME - ALL OUTDOOR MODULES (including BOILERS WITH SYSTEM KITS)



PRESSURE SWITCH CONNECTION DIAGRAM FOR THE GRANT
 OUTDOOR COMBI MKII - WITH SINGLE CHANNEL TIMER



PRESSURE SWITCH CONNECTION DIAGRAM FOR THE GRANT
 OUTDOOR COMBI MKII - WITH PROGRAMMER

