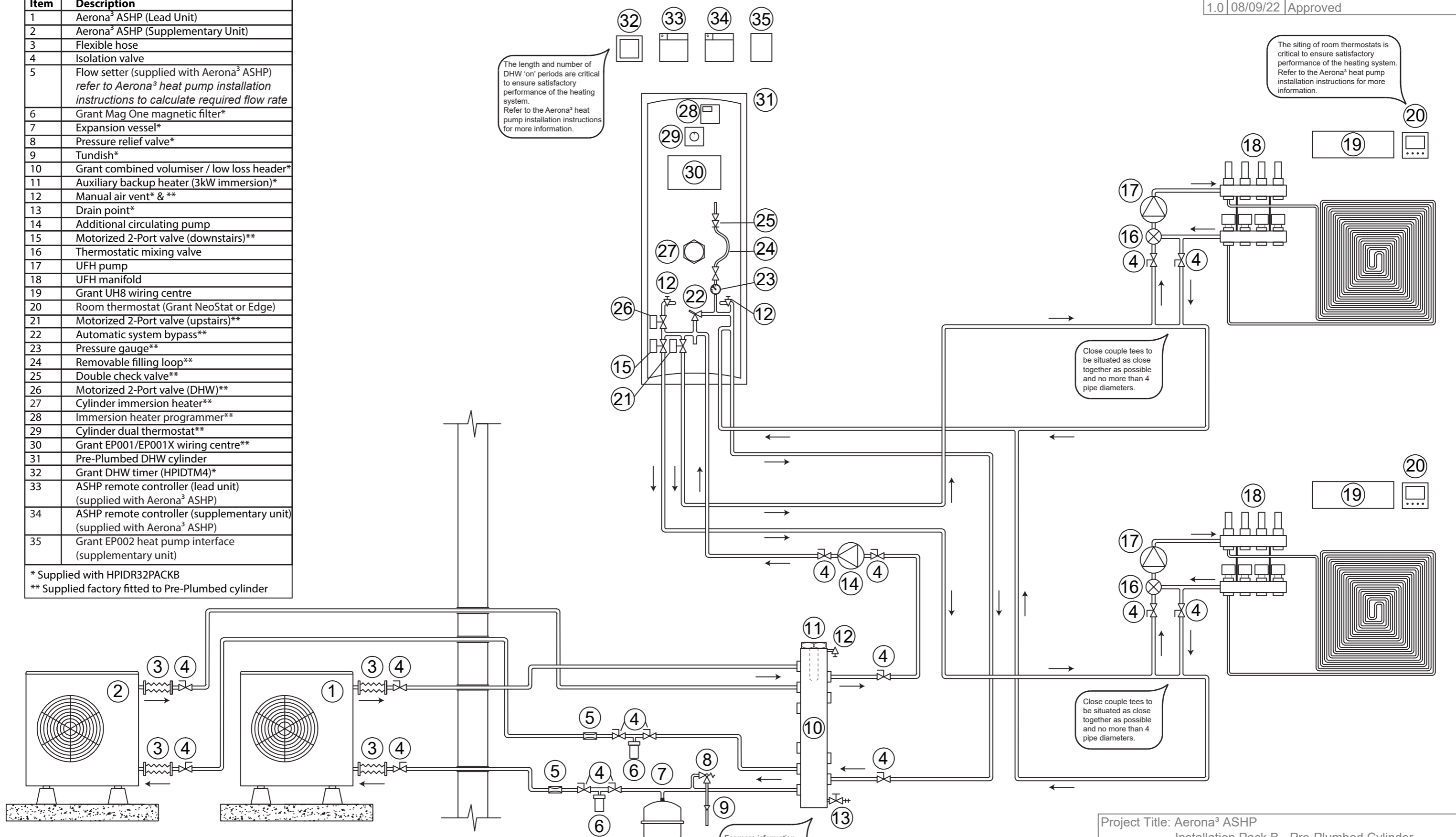


Item	Description
1	Aerona <sup>3</sup> ASHP (Lead Unit)
2	Aerona <sup>3</sup> ASHP (Supplementary Unit)
3	Flexible hose
4	Isolation valve
5	Flow setter (supplied with Aerona <sup>3</sup> ASHP) <i>refer to Aerona<sup>3</sup> heat pump installation instructions to calculate required flow rate</i>
6	Grant Mag One magnetic filter*
7	Expansion vessel*
8	Pressure relief valve*
9	Tundish*
10	Grant combined volumiser / low loss header*
11	Auxiliary backup heater (3kW immersion)*
12	Manual air vent* & **
13	Drain point*
14	Additional circulating pump
15	Motorized 2-Port valve (downstairs)**
16	Thermostatic mixing valve
17	UFH pump
18	UFH manifold
19	Grant UH8 wiring centre
20	Room thermostat (Grant NeoStat or Edge)
21	Motorized 2-Port valve (upstairs)**
22	Automatic system bypass**
23	Pressure gauge**
24	Removable filling loop**
25	Double check valve**
26	Motorized 2-Port valve (DHW)**
27	Cylinder immersion heater**
28	Immersion heater programmer**
29	Cylinder dual thermostat**
30	Grant EP001/EP001X wiring centre**
31	Pre-Plumbed DHW cylinder
32	Grant DHW timer (HPIDTM4)*
33	ASHP remote controller (lead unit) (supplied with Aerona <sup>3</sup> ASHP)
34	ASHP remote controller (supplementary unit) (supplied with Aerona <sup>3</sup> ASHP)
35	Grant EP002 heat pump interface (supplementary unit)

\* Supplied with HPIDR32PACKB  
 \*\* Supplied factory fitted to Pre-Plumbed cylinder

The length and number of DHW 'on' periods are critical to ensure satisfactory performance of the heating system. Refer to the Aerona<sup>3</sup> heat pump installation instructions for more information.

The siting of room thermostats is critical to ensure satisfactory performance of the heating system. Refer to the Aerona<sup>3</sup> heat pump installation instructions for more information.



Close couple tees to be situated as close together as possible and no more than 4 pipe diameters.

Close couple tees to be situated as close together as possible and no more than 4 pipe diameters.

For more information on the Grant Combined Volumiser / Low Loss Header, please refer to the Aerona<sup>3</sup> heat pump installation instructions.

**! NOTE !**  
 Please refer to the Aerona<sup>3</sup> ASHP installation instructions for details of the flow and return connections at the heat pump.

**! NOTE !**  
 This system schematic should be read in conjunction with the Aerona<sup>3</sup> ASHP installation instructions and wiring diagram HPCS-B004E.

Project Title: Aerona<sup>3</sup> ASHP  
 Installation Pack B - Pre-Plumbed Cylinder  
 Cascade system  
 S-Plan Plus type system with legionella protection  
 UFH downstairs and upstairs  
 HW priority provided by EP001 wiring centre (system schematic)

Drawing Set: Aerona <sup>3</sup> Control System Schematics	Dwg. No: HPCS-B004S
Status: Approved	Revision: 1.0
Rev Date: 08/09/22   Drawn By: CG	Checked By: NS&SM

This drawing and its content is subject to copyright. Use other than for its original intended purpose must be arranged with an employee of Grant UK Ltd. Hopton House, Hopton Industrial Estate, Devizes, Wiltshire, SN10 2EU, tel: 01380 736920