



Grant Engineering UK Ltd

FITTING INSTRUCTIONS for INDOOR BOILER LOW PRESSURE SWITCH KIT – Part No. MPCBS62

**For use with the following Grant Boilers:
Vortex Eco, Vortex Pro, Vortex Wall-hung, Euroflame, MultiPass, Vortex and MkII
Combi boilers – indoor models (Kitchen, Utility and Boiler house models) only.**

IMPORTANT – This pressure switch kit is NOT SUITABLE for use with Grant Outdoor Wall-hung models, Outdoor Modules or Outdoor Combi boilers. Use only Kit Ref. MPCBS63 for these Outdoor models.

General

This pressure switch kit is intended for use on domestic sealed heating systems and, if correctly installed, will shut off the boiler and burner if the system pressure drops below 0.2 bar.

Important: Grant UK recommends the use of this pressure switch on all sealed heating systems using plastic pipe, or where the boiler is the highest point of the system.

Kit contents

- 1 x Pressure switch c/w 1.65m long flying lead
- 1 x 2-way terminal block
- 1 x 1/4"x1/2" BSP bush

Location of pressure switch

The pressure switch must be located in the heating system RETURN pipe - as close to the boiler as possible (i.e. within 150mm of boiler) – using a suitable fitting with a 1/2" BSP female connection (not supplied). On System boilers and Combi boilers, the pressure switch can be located within the boiler casing. Whatever location is chosen, ensure that pressure switch is accessible for checking or replacement.

On Kitchen and Utility models - the lead from the pressure switch must be routed through the upper part of the boiler (feed it through the grommet at one end of the control panel on the Vortex Utility and Euroflame boilers) to the electrical terminal block of the boiler. Ensure that the pressure switch lead is secured in the terminal block cable clamp and that the 2-way terminal block is located within the control panel or terminal block cover.

On Boiler House models - route the pressure switch lead into the 'Dualstat' housing, through one of the cable glands, and ensure the 2-way terminal block is located within the 'Dualstat' cover.

On Wall-hung models - the lead from the pressure switch must be routed down the side of the boiler. Feed the lead through the cable clamp to the 2-way electrical terminal block (supplied in the kit) positioned inside the control panel. Ensure that the pressure switch lead is secured in the cable clamp and that the 2-way terminal block is safely located within the control panel.

Fitting the pressure switch

1. Fit a suitable 1/2" BSP female connection (not supplied) in the RETURN pipe – within 150mm of the boiler.
2. Using suitable thread sealant or PTFE tape on the threads
 - a) Screw the 1/4" BSP brass connector of the pressure switch into the bush, and
 - b) Fit the bush into the 1/2" BSP female connection on the return pipe.

Electrical connection of pressure switch

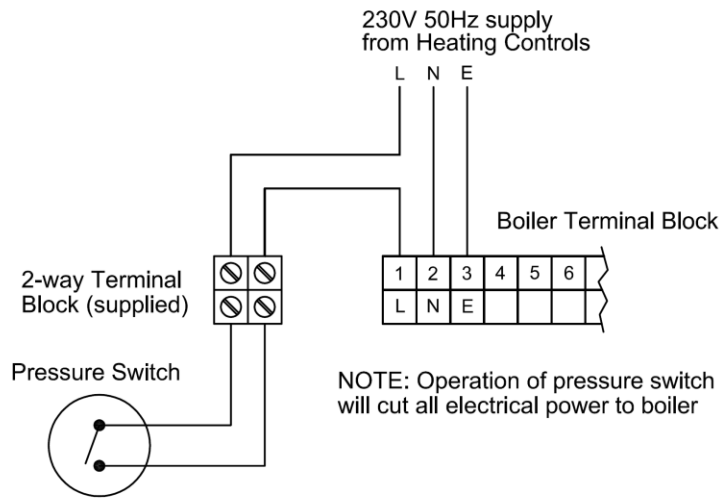
On all boilers the pressure switch must be connected such that the switch interrupts the live supply to the boiler - shutting off the boiler and burner if the pressure switch is operated. Refer to the wiring diagrams on the other side of this sheet for the correct connection arrangement for the boiler in question.

The electrical installation of this pressure switch must be carried out by a competent electrician and should conform to BS7671:2008 - IEE Wiring Regulations 17th Edition (including any amendments).

PRESSURE SWITCH WIRING DIAGRAMS

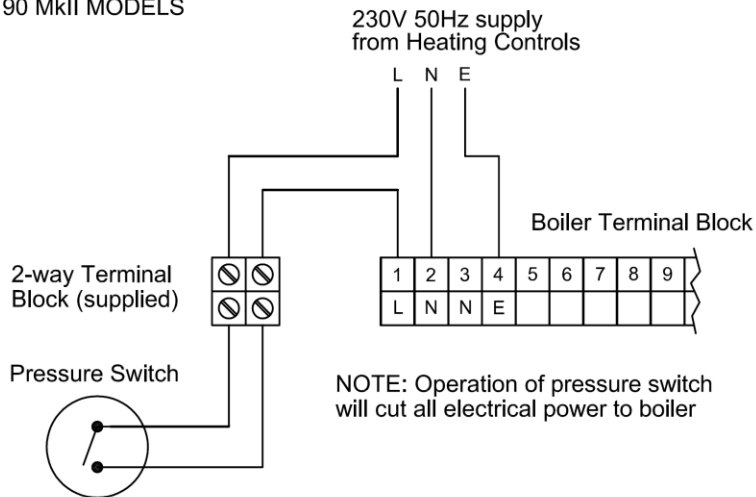
PRESSURE SWITCH CONNECTION DIAGRAM FOR THE FOLLOWING GRANT BOILERS:

- VORTEX - ALL MODELS (including SYSTEM MODELS)
- VORTEX WALL HUNG - ALL MODELS (including SYSTEM MODELS)
- MULTIPASS 140/160 & 160/200 MODELS (including BOILERS WITH SYSTEM KITS)
- EUROFLAME - ALL UTILITY MODELS (including BOILERS WITH SYSTEM KITS)



PRESSURE SWITCH CONNECTION DIAGRAM FOR THE FOLLOWING GRANT BOILERS:

- MULTIPASS - 50/70, 70/90 & 90/140 MODELS
- COMBI 70 & COMBI 90 MkII MODELS



PRESSURE SWITCH CONNECTION DIAGRAM FOR THE FOLLOWING GRANT BOILERS:

- MULTIPASS - 50/70, 70/90 & 90/140 BOILER HOUSE MODELS
- EUROFLAME 50/70, 70/90 & 90/120 BOILER HOUSE MODELS

