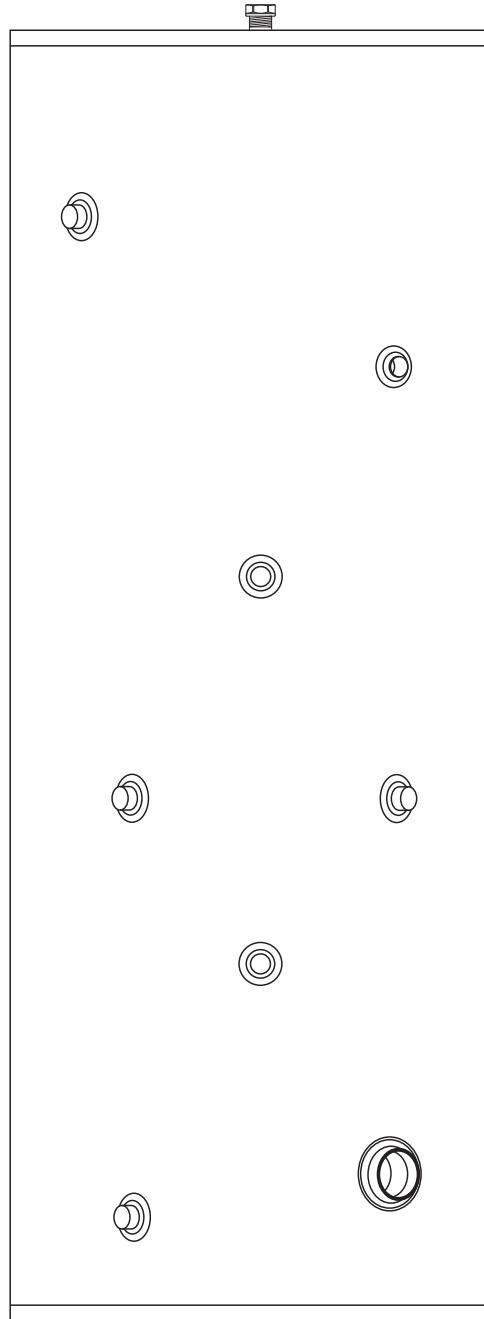


Grant MonoWave System

Indirect HP (Heat Pump) Cylinder

Installation, Servicing and User Instructions



IMPORTANT NOTE FOR INSTALLERS

These instructions are intended to guide Installers on the installation, commissioning and servicing of the Grant MonoWave indirect HP (heat pump) cylinder. After installing the cylinder, leave these instructions with the user.

User instructions to guide users in the operation of the cylinder are in Section 12 of these instructions.

SPECIAL TEXT FORMATS

The following special text formats are used in these instructions for the purposes listed below:

! WARNING !

Warning of possible human injury as a consequence of not following the instructions in the warning.

! CAUTION !

Caution concerning likely damage to equipment or tools as a consequence of not following the instructions in the caution.

! NOTE !

Used for emphasis or information not directly concerned with the surrounding text but of importance to the reader.

PRODUCT CODES COVERED

Grant MonoWave indirect HP Cylinder Model	Product Code
'A rated' 200 litre	HPMONOA/IND200
125 litre	HPMONO/IND125
150 litre	HPMONO/IND150
170 litre	HPMONO/IND170
200 litre	HPMONO/IND200
250 litre	HPMONO/IND250
300 litre	HPMONO/IND300
400 litre	HPMONO/IND400
Slimline 150 litre	HPMONO/IND150/SL
Slimline 170 litre	HPMONO/IND170/SL
Slimline 200 litre	HPMONO/IND200/SL
Slimline 250 litre	HPMONO/IND250/SL
Slimline 300 litre	HPMONO/IND300/SL

SERVICING

The cylinder should be serviced at least every twelve months and the details entered in the Benchmark Book.



GRANT ENGINEERING (UK) LIMITED

Hopton House, Hopton Industrial Estate, Devizes, Wiltshire, SN10 2EU

Tel: +44 (0)1380 736920 Fax: +44 (0)1380 736991

Email: info@grantuk.com www.grantuk.com

This manual is accurate at the date of printing but will be superseded and should be disregarded if specifications and/or appearances are changed in the interests of continued product improvement. However, no responsibility of any kind for any injury, death, loss, damage or delay however caused resulting from the use of this manual can be accepted by Grant Engineering (UK) Limited, the author or others involved in its publication.

All goods sold are subject to our official Conditions of Sale, a copy of which may be obtained on application.

© Grant Engineering (UK) Limited. No part of this manual may be reproduced by any means without prior written consent.

CONTENTS

1	INTRODUCTION	4	6	COMMISSIONING, DRAINING DOWN AND SAFETY	28
1.1	Installation requirements	4	6.1	Filling the Cylinder	28
1.2	Water supply requirements	4	6.2	Draining Down	28
1.3	Location	4	6.3	Immersion Heater Safety Cut-Out	28
1.4	Storage and handling	4	6.4	Cold Water Discharge from Tundish	29
1.5	About your cylinder	4	6.5	Hot Water Discharge from Tundish	29
1.6	Open vented hot water systems	4	6.6	Expansion Vessel	29
1.7	Primary circuit pipework connections	4	6.7	Setting the Cylinder By-Pass	29
1.8	Cylinder by-pass	4	6.8	Customer Handover	29
1.9	Secondary circuit pipework connections	5	7	MAINTENANCE	30
1.10	Taps and fittings	5	7.1	Servicing and Maintenance	30
1.11	Hard water scaling	5	7.2	Inlet Manifold Assembly	30
1.12	Insulation	5	7.3	Expansion Relief Valve Cartridge	30
1.13	Health and Safety	5	7.4	Expansion Vessel	30
2	TECHNICAL DATA	6	8	FAULT FINDING	31
2.1	Cylinder technical data	6	8.1	Intermittent Water Discharge	31
2.2	Product contents	8	8.2	Constant Water Discharge	31
2.3	Dimensions	10	8.3	No Flow from Hot Water Taps	32
2.4	Connections and Controls	15	8.4	Cold Water Flow from Hot Water Taps	32
3	PRIMARY CIRCUIT INSTALLATION	18	8.5	Excessive Hot Water from Taps	33
3.1	Grant Monowave indirect HP cylinders	18	9	SPARE PARTS	34
3.2	Primary connections	18	9.1	Spare Parts	34
3.3	The 2-Port Valve	18	10	PRODUCT FICHE	35
3.4	Hard Water Areas	18	11	END OF LIFE INFORMATION	35
4	SECONDARY CIRCUIT INSTALLATION	19	12	USER INSTRUCTIONS	36
4.1	General	19	12.1	User Instructions	36
4.2	Cold Water Inlet Manifold	19	13	GUARANTEE	37
4.3	Installation	19			
4.4	Expansion Vessel	20			
4.5	Temperature and Pressure Relief Valve	20			
4.6	Hot water Supply	20			
4.7	Prevention of Scalding	20			
4.8	Secondary Return	20			
4.9	Tundish	21			
4.10	Discharge Pipe	21			
4.11	Discharge Pipe Sizing	21			
4.12	Worked Example	21			
4.13	Discharge Pipe Arrangement	22			
5	ELECTRICAL	23			
5.1	Immersion Heater	23			
5.2	Immersion Heater Wiring Instructions	23			
5.3	Immersion Heater Safety Cut-Out	24			
5.4	Dual Thermostat	24			
5.5	2-Port Valves	24			
5.6	Heat pump interface box	24			
5.7	"S Plan" Schematic and Wiring Diagrams	25			

1 INTRODUCTION

1.1 INSTALLATION REQUIREMENTS

Thank you for purchasing a Grant unvented hot water storage cylinder from our Wave range.

These Installation and User instructions must be read carefully before you begin installing the cylinder.

The cylinder must be installed by a competent person in compliance with all current legislation, codes of practice and local by-laws covering the installation of an unvented hot water cylinder.

Please also make sure that the installation complies with the information contained in these Installation and User Instructions.

To prevent damage to the coil, cylinder and cylinder connections, make any soldered joints before connecting pipework to the cylinder.

1.2 WATER SUPPLY REQUIREMENTS

We recommend that your Grant unvented cylinder is installed with an uninterrupted water supply.

Where possible, the unit should be fed via a Ø22 mm supply pipe. It requires a supply pressure of at least 1.5 bar with a flow rate of at least 20 litres per minute as a minimum for it to function.

Even with this pressure and flow rate, the flow from the outlets will be disappointing if several outlets are used simultaneously. Generally speaking, the higher the supply pressure, the better the system will function.

The cylinder control equipment is factory set to limit the incoming system operating pressure to 3 bar. The maximum supply pressure into the pressure reducing valve (PRV) is 12 bar.

1.3 LOCATION

The unit is designed to be floor standing, vertically mounted, internally in a frost-free environment. When choosing a suitable location for the cylinder, consideration should be given to the routing of the discharge pipe to a convenient point and also the availability of an adequate power supply for connecting the immersion heater(s).

The cylinder may stand on any flat and level surface without any special foundation requirements, provided that it is sufficiently robust to support the full weight of the cylinder (refer to Section 2.1).

The position of the cylinder should be such that easy access is provided for servicing the controls and replacing the immersion heater(s) should the need arise.

Generally, pipe runs should be made as short as possible and lagged to prevent heat loss.

1.4 STORAGE AND HANDLING

If the cylinder is not being installed immediately, it should remain in its carton to prevent damage. We recommend that the cylinder be transported to its installation position on a sack truck or similar whilst still within the carton.

! CAUTION !

Do not use the Temperature and Pressure relief valve (T&P relief valve) as a handle when moving and positioning the cylinder.

1.5 ABOUT YOUR CYLINDER

Grant MonoWave indirect HP cylinders have a single coil designed for connection to an air source heat pump, such as the Grant Aerona³ range. If a source such as Solar Thermal or another make of heat pump is to be connected, please refer to the manufacturer's installation instructions for more information.

The coil must be connected using a 2-port motorised valve (for solar installations a high temperature 2-port or solenoid valve must be used) to shut off the flow from the primary source and electronically interlocked with the heat source via the cylinder control and high limit thermostat. This valve is supplied loose with all Grant MonoWave indirect HP cylinders.

Failure to fit this 2-port valve will invalidate all guarantees and will be in breach of the Building Regulations Approved Document G3 (2010). More information on electrical wiring is given in Section 5 of these instructions.

MonoWave indirect HP cylinders are factory-fitted with a temperature and pressure relief (T&P) valve and a 3kW electric immersion heater (two immersion heaters are supplied with the 300 and 400 models).

Refer to Figures 2-6 to 2-10 and their corresponding tables for the T&P valve position.

Refer to Sections 5, 6 and 12 for further details on immersion heaters.

1.6 OPEN VENTED HOT WATER SYSTEMS

If required, your MonoWave indirect HP cylinder can be used as part of an open vented hot water system, i.e. fed from a cold water storage cistern and fitted with an open vent pipe, provided the maximum head does not exceed 30 metres.

When used in this way, it will not be necessary to install the expansion vessel and cold water inlet manifold supplied with the cylinder.

! NOTE !

The temperature and pressure relief (T&P) valve must be left connected to the cylinder (as supplied).

As it may still operate due to temperature, it should be connected in the correct manner - refer to guidance given in Section 4 of these instructions.

1.7 PRIMARY CIRCUIT PIPEWORK CONNECTIONS

All primary circuit pipework connections to the cylinder MUST be made in accordance with Figures 2-6 to 2-10 as appropriate. Refer to Section 3 (Primary Circuit Installation) for further details.

1.8 CYLINDER BY-PASS

When either a Grant Aerona³ HPID13R32 (13kW) or HPID17R32 (17kW) heat pump is used with this cylinder, a simple by-pass MUST be fitted between the primary flow and return pipes at the cylinder. This by-pass consists of a 22 mm pipe fitted between the primary flow and return pipes fitted with a 22 mm gate valve.

This by-pass must be set during commissioning. Refer to Section 6.7 of these Installation and User Instructions.

! NOTE !

A by-pass at the cylinder, as described above, is NOT required for the Grant Aerona³ HPID6R32 (6kW) or HPID10R32 (10kW) heat pumps, but ONLY when a Grant Aerona³ HPID13R32 (13kW) or HPID17R32 (17kW) heat pump is used with this cylinder.

1.9 SECONDARY CIRCUIT PIPEWORK CONNECTIONS

All secondary circuit primary pipework connections to the cylinder MUST be made in accordance with Figures 2-6 to 2-10 as appropriate. Refer to Section 4 (Secondary Circuit Installation).

1.10 TAPS AND FITTINGS

All taps and fittings incorporated in the unvented hot water system should have a rated operating pressure of 7 bar or above.

1.11 HARD WATER SCALING

If the cylinder is used in a hard water area scaling will form inside the cylinder and this will reduce both the performance and working life of the cylinder.

Where the total hardness exceeds 125 ppm a high capacity water softener, or suitable water conditioner, should be installed in the incoming cold water supply to the cylinder.

It is recommended that the water temperature control thermostats (on the immersion heaters and dual thermostats) fitted to the cylinder be set no higher than 60°C. This will help reduce the migration of suspended solids in the water and help minimise the build-up of lime scale.

1.12 INSULATION

All Grant MonoWave Cylinders are insulated with CFC/HFC free, fire retardant, polyurethane foam injected between the stainless steel cylinder and the outer casing. This polyurethane foam has a Global Warming Potential (GWP) of less than 3 and an Ozone Depletion Potential (ODP) of 0.

All regular diameter models (except the 'A rated' cylinder) are insulated with a 40mm layer of this polyurethane foam.

The 'A rated' MonoWave cylinder is insulated with a 90mm layer of this polyurethane foam.

The Slimline range of MonoWave cylinders are insulated with a 30mm layer of this polyurethane foam.

1.13 HEALTH AND SAFETY

The information supplied in Tables 2-1 and 2-2 will help you assess the safest way to manoeuvre your cylinder into position.

Please use the correct table to find the empty weight of your cylinder and then consider how you can safely move it into its final position.

Please leave these Installation and User Instructions with the householder after installation.

2 TECHNICAL DATA

2.1 CYLINDER TECHNICAL DATA

2.1.1 REGULAR DIAMETER MODELS

Table 2-1: Cylinder technical data (regular diameter models)

	MonoWave Indirect HP Cylinders							
	Standard efficiency							A rated
	125 litre	150 litre	170 litre	200 litre	250 litre	300 litre	400 litre	200 litre
Nominal capacity (litres)	125	150	170	200	250	300	400	200
Actual capacity (litres)	118	136	165	188	222	274	356	202
Overall diameter (mm)	580	580	580	580	580	580	580	580
Overall height (mm)	830	920	1,070	1,192	1,395	1,685	2,085	1,935
Weight - empty (kg)	30	32	45	49	59	68	76	70
Weight - full (kg)	148	168	210	237	281	342	432	272
Secondary return connection (mm)	22	22	22	22	22	22	22	22
Cold feed / hot draw-off connections (mm)	22	22	22	22	22	22	22	22
Primary coil connections (mm)	22	22	22	22	22	22	22	28
Primary coil length (m)	11.68	8.00	8.00	16.00	16.00	16.00	16.00	16.00
Primary coil surface area (m ²)	1.5	1.65	1.65	3.3	3.3	3.3	3.3	3.3
Primary coil pipe diameter (mm)	28	32	32	32	32	32	32	32
Maximum water supply pressure (bar)	12	12	12	12	12	12	12	12
System operating pressure - pre-set (bar)	3	3	3	3	3	3	3	3
Expansion vessel charge pressure (bar)	3	3	3	3	3	3	3	3
Expansion relief valve pressure (bar)	6	6	6	6	6	6	6	6
T&P relief valve lift pressure (bar)	7	7	7	7	7	7	7	7
T&P relief valve lift temperature (°C)	90	90	90	90	90	90	90	90
Maximum primary circuit working pressure (bar)	3	3	3	3	3	3	3	3
Performance:								
Primary coil rating (kW)	24.0	27.8	27.8	47.0	47.0	56.6	56.6	47.0
Standing heat loss (kWh/24hrs)*	1.48	1.72	1.92	2.04	2.16	2.32	2.58	1.01
ERP rating	C	C	C	B	C	C	C	A

* Test carried out at 60°C.

2.1.2 SLIMLINE MODELS

Table 2-2: Cylinder technical data (slimline models)

	Slimline MonoWave Indirect HP Cylinders				
	150 litre	170 litre	200 litre	250 litre	300 litre
Nominal capacity (litres)	150	170	200	250	300
Overall diameter (mm)	510	510	510	510	510
Overall height (mm)	1,115	1,265	1,538	1,865	2,055
Weight - empty (kg)	35	46	50	62	70
Weight - full (kg)	185	216	250	312	370
Secondary return connection (mm)	22	22	22	22	22
Cold feed / hot draw-off connections (mm)	22	22	22	22	22
Primary coil connections (mm)	22	22	22	22	22
Primary coil length (m)	8.00	8.00	16.00	16.00	16.00
Primary coil surface area (m ²)	1.65	1.65	3.3	3.3	3.3
Primary coil pipe diameter (mm)	32	32	32	32	32
Maximum water supply pressure (bar)	12	12	12	12	12
System operating pressure - pre-set (bar)	3	3	3	3	3
Expansion vessel charge pressure (bar)	3	3	3	3	3
Expansion relief valve pressure (bar)	6	6	6	6	6
T&P relief valve lift pressure (bar)	7	7	7	7	7
T&P relief valve lift temperature (°C)	90	90	90	90	90
Maximum primary circuit working pressure (bar)	3	3	3	3	3
Performance:					
Primary coil rating (kW)	27.8	27.8	47.0	47.0	56.6

2.2 PRODUCT CONTENTS

2.2.1 REGULAR DIAMETER MODELS

Table 2-3: Product contents (regular diameter models)

	Standard efficiency							A rated
	125 litre	150 litre	170 litre	200 litre	250 litre	300 litre	400 litre	200 litre
Cylinder assembly - 125 litre	1	-	-	-	-	-	-	-
Cylinder assembly - 150 litre	-	1	-	-	-	-	-	-
Cylinder assembly - 170 litre	-	-	1	-	-	-	-	-
Cylinder assembly - 200 litre	-	-	-	1	-	-	-	-
Cylinder assembly - 250 litre	-	-	-	-	1	-	-	-
Cylinder assembly - 300 litre	-	-	-	-	-	1	-	-
Cylinder assembly - 400 litre	-	-	-	-	-	-	1	-
Cylinder assembly - A rated 200 litre	-	-	-	-	-	-	-	1
Expansion vessel - 12 litre	1	1	-	-	-	-	-	-
Expansion vessel - 19 litre*	-	-	1	1	-	-	-	1
Expansion vessel - 24 litre*	-	-	-	-	1	1	-	-
Expansion vessel - 35 litre**	-	-	-	-	-	-	1	-
Expansion vessel hose (3/4" BSPF x 3/4" BSPM) c/w washer	1	1	1	1	1	1	1	1
Adapter (22mm compression x 3/4" BSPM)	-	-	1*	1*	1*	1*	-	1*
Adapter (1" BSPF x 3/4" BSPM)	-	-	-	-	-	-	1**	-
Expansion vessel wall bracket and band	1	1	1	1	1	1	1	1
1/2" temperature and PRV - 7 bar/90°C †	1	1	1	1	1	1	1	1
Tundish - 15/22 mm	1	1	1	1	1	1	1	1
Drain cock - 1/2" end feed	1	1	1	1	1	1	1	1
Inlet manifold - 3 bar PRV and 6 bar expansion relief valve	1	1	1	1	1	1	1	1
2-port motorised valve - 22 mm	1	1	1	1	1	1	1	1
Dual thermostat (control: 25-65°C / high limit: 90°C)	1	1	1	1	1	1	1	1
Immersion heater - 3kW 1 3/4" boss †	1	1	1	1	1	2	2	1

† Factory fitted

* Vessel may come with:

- a 3/4" BSPM thread allowing for direct connection to the supplied expansion vessel hose.
OR
- a 22mm compression fitting.

In this instance, a 22mm compression to 3/4" BSPM adapter will be supplied, for connection to the supplied expansion vessel hose.

A short length of 22mm pipe will need to be sourced and fitted between the 22mm compression fittings at the vessel and the expansion vessel hose adapter.

** 35 litre expansion vessels are supplied with a 1" BSPM connection, meaning an adapter (supplied) is required for connection to the supplied expansion vessel hose.

2.2.2 SLIMLINE MODELS

Table 2-4: Product contents (slimline models)

	Slimline models				
	150 litre	170 litre	200 litre	250 litre	300 litre
Cylinder assembly - 150 litre	1	-	-	-	-
Cylinder assembly - 170 litre	-	1	-	-	-
Cylinder assembly - 200 litre	-	-	1	-	-
Cylinder assembly - 250 litre	-	-	-	1	-
Cylinder assembly - 300 litre	-	-	-	-	1
Expansion vessel - 12 litre	1	-	-	-	-
Expansion vessel - 19 litre*	-	1	1	-	-
Expansion vessel - 24 litre*	-	-	-	1	1
Expansion vessel hose (3/4" BSPF x 3/4" BSPM) c/w washer	1	1	1	1	1
Adapter (22mm compression x 3/4" BSPM)	-	1*	1*	1*	1*
Expansion vessel wall bracket and band	1	1	1	1	1
1/2" temperature and PRV - 7 bar/90°C †	1	1	1	1	1
Tundish - 15/22 mm	1	1	1	1	1
Drain cock - 1/2" end feed	1	1	1	1	1
Inlet manifold - 3 bar PRV and 6 bar expansion relief valve	1	1	1	1	1
2-port motorised valve - 22 mm	1	1	1	1	1
Dual thermostat (control: 25-65°C / high limit: 90°C)	1	1	1	1	1
Immersion heater - 3kW 1 1/4" boss †	1	1	1	1	2

† Factory fitted

* Vessel may come with:

- a 3/4" BSPM thread allowing for direct connection to the supplied expansion vessel hose.
OR

- a 22mm compression fitting.

In this instance, a 22mm compression to 3/4" BSPM adapter will be supplied, for connection to the supplied expansion vessel hose.

A short length of 22mm pipe will need to be sourced and fitted between the 22mm compression fittings at the vessel and the expansion vessel hose adapter.

2.3 DIMENSIONS

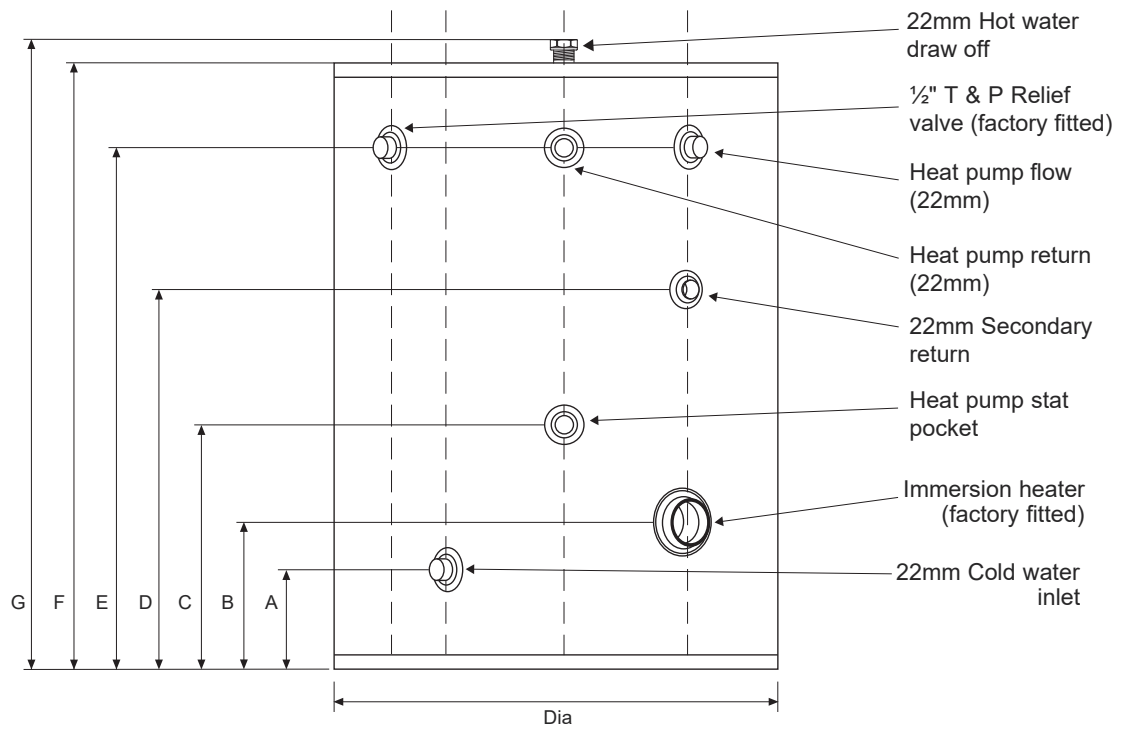


Figure 2-1: MonoWave indirect HP cylinder dimensions (125L model only)

Table 2-5: MonoWave indirect HP cylinder dimensions (125L model only)

Dimensions (mm)	125 litre
A	215
B	230
C	355
D	465
E	585
F	795
G	830
Dia	580

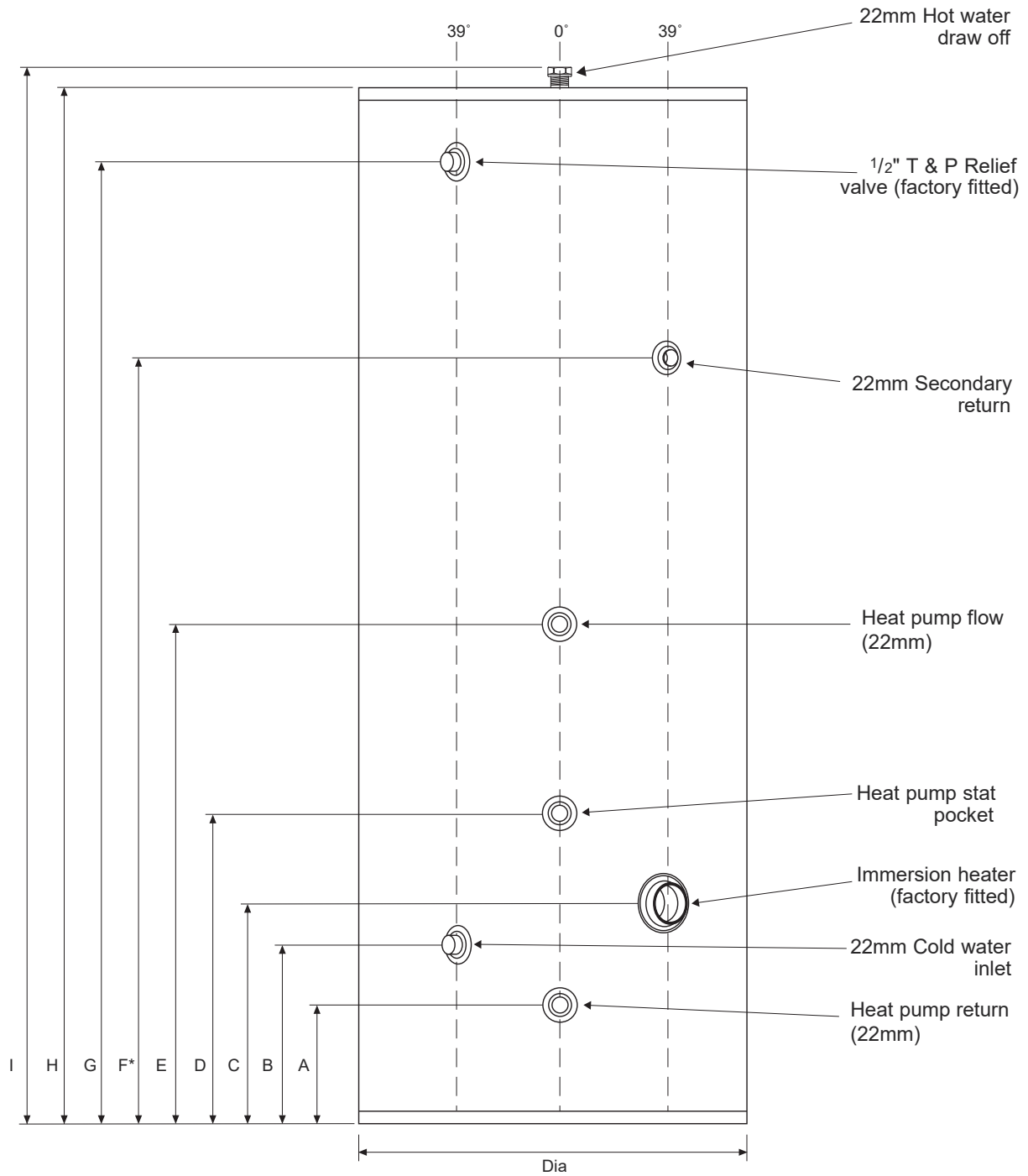


Figure 2-2: MonoWave indirect HP cylinder dimensions (150 and 170L models only)

Table 2-6: MonoWave indirect HP cylinder dimensions (150 and 170L models only)

Dimensions (mm)	150 litre	170 litre
A	200	200
B	215	215
C	230	230
D	341	355
E	620	620
F*	490	705
G	675	835
H	885	1035
I	920	1070
Diameter	580	580

* Secondary return is below heat pump flow tapping on 150L model ONLY

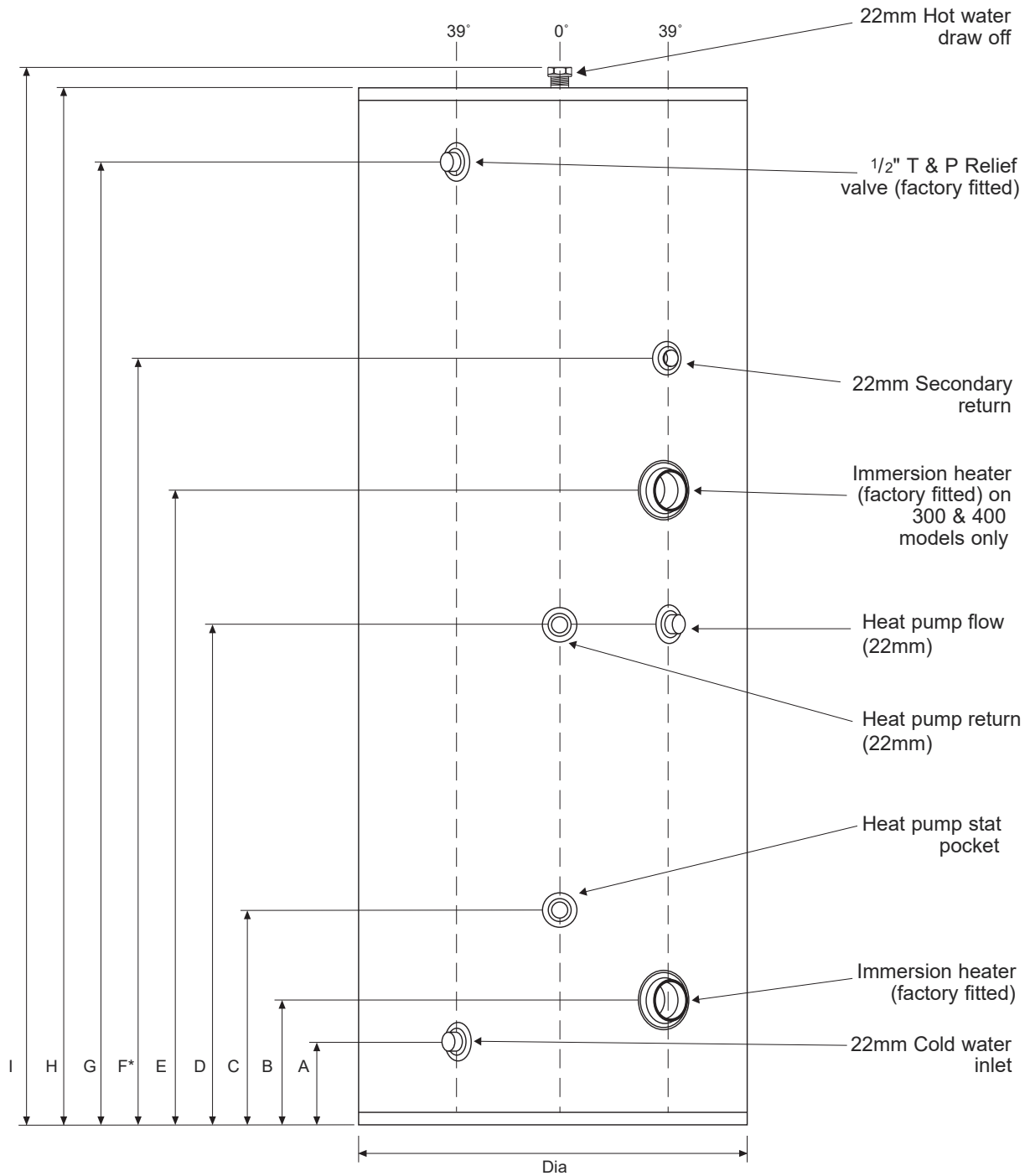


Figure 2-3: MonoWave indirect HP cylinder dimensions (excluding 125, 150 and 170L models)

Table 2-7: MonoWave indirect HP cylinder dimensions (excluding 125, 150 and 170L models)

Dimensions (mm)	200 litre	250 litre	300 litre	400 litre
A	215	215	215	215
B	230	230	230	230
C	355	355	515	415
D	930	950	950	950
E	-	-	1050	1050
F*	800	1050	1395	1555
G	930	1140	1440	1862
H	1157	1360	1650	2050
I	1192	1395	1685	2085
Diameter	580	580	580	580

* Secondary return is below flow and return tappings on 200L model ONLY

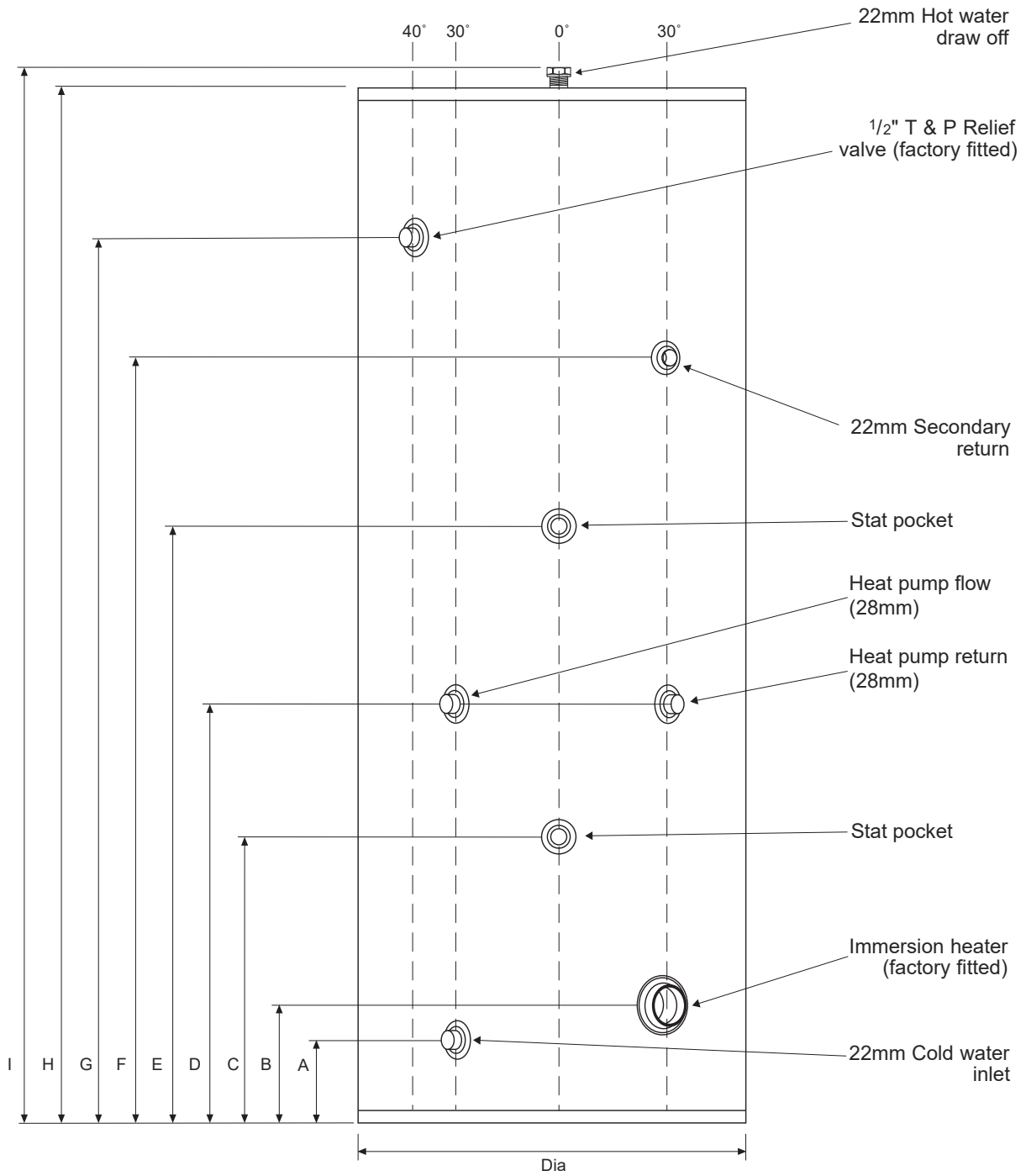


Figure 2-4: 'A-rated' MonoWave indirect HP cylinder dimensions

Table 2-8: 'A-rated' MonoWave indirect HP cylinder dimensions

Dimensions (mm)	'A-rated' 200 litre
A	153
B	183
C	663
D	803
E	903
F	1288
G	1573
H	1900
I	1935
Diameter	580

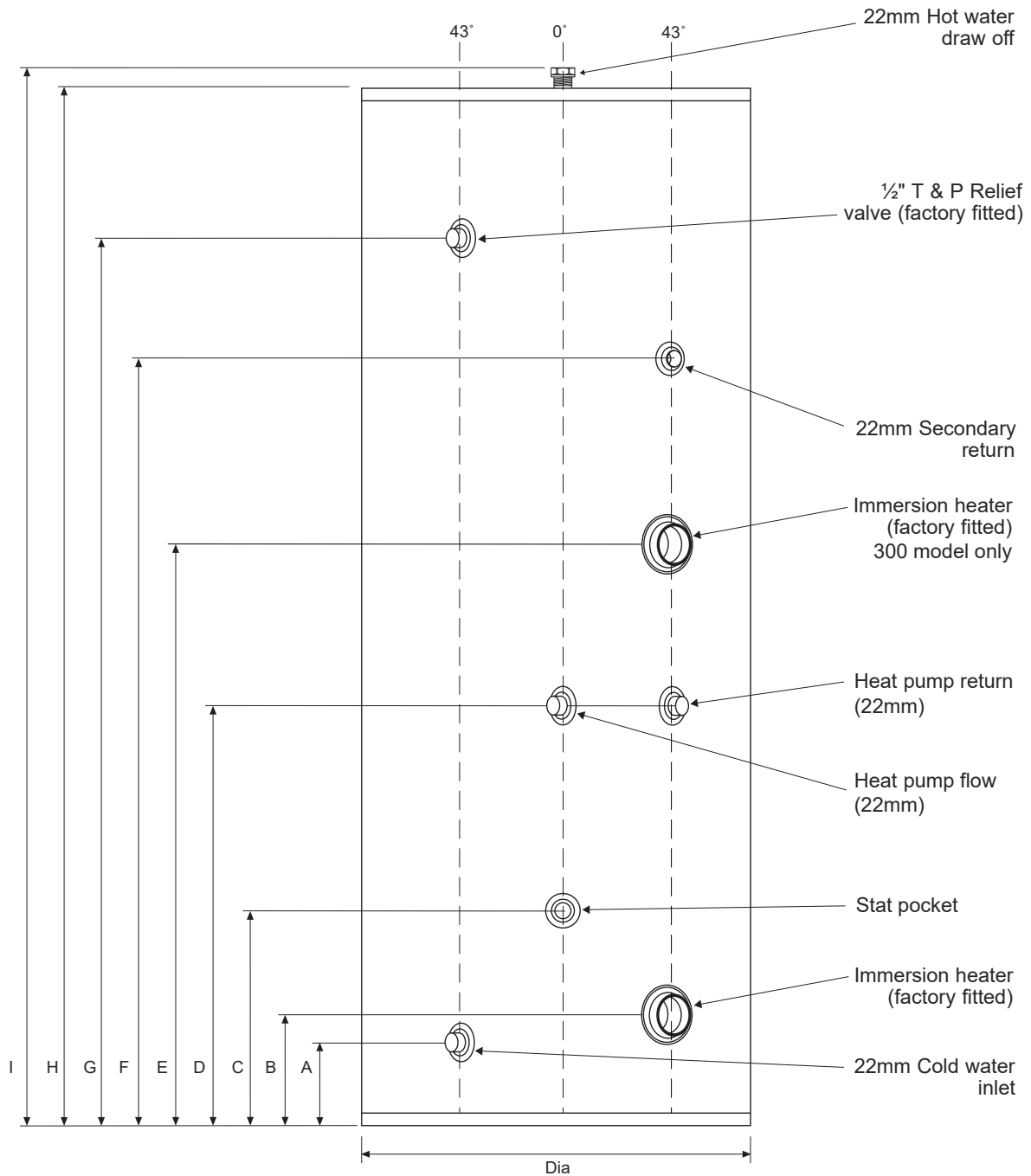


Figure 2-5: Slimline MonoWave indirect HP cylinder dimensions

Table 2-9: Slimline MonoWave indirect HP cylinder dimensions

Dimensions (mm)	150 litre	170 litre	200 litre	250 litre	300 litre
A	195	195	186	186	186
B	210	210	201	201	201
C	335	335	356	356	356
D	582	582	821	821	821
E	-	-	-	-	991
F	782	915	1121	1471	1671
G	885	1035	1321	1621	1821
H	1080	1230	1503	1830	2020
I	1115	1265	1538	1865	2055
Diameter	510	510	510	510	510

2.4 CONNECTIONS AND CONTROLS

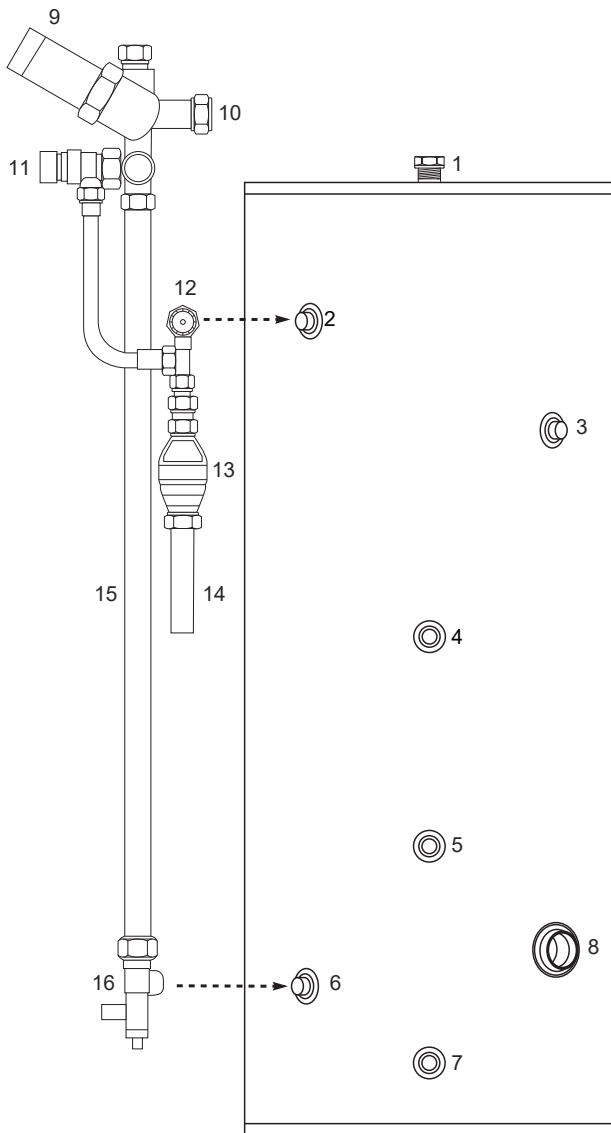


Figure 2-6: MonoWave indirect HP cylinders
- 150 and 170 models

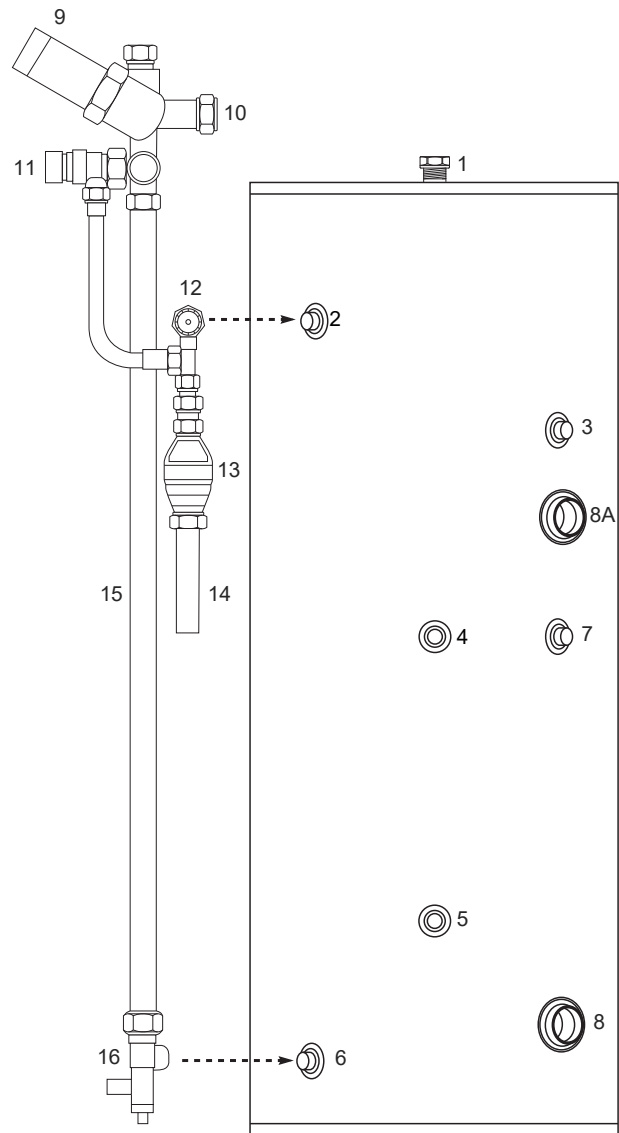


Figure 2-7: MonoWave indirect HP cylinders
- 200, 250, 300 & 400 models

Table 2-10: MonoWave indirect HP cylinder connections and controls (including 'A rated' 200L model)

Item	Description	Connection Size	Item	Description	Connection size
1	DHW out	22mm compression	9	Pressure reducing valve - 3 bar	-
2	T&P valve connection	1/2" BSPF	10	Balanced cold supply connection	22mm compression
3	Secondary return tapping*	22mm compression	11	Expansion relief valve - 6 bar	15mm compression
4	Heat pump return tapping	22mm compression**	12	Temperature & Pressure relief valve - 90°C / 7 bar	15mm compression
5	Dual thermostat pocket	-	13	Tundish	15/22mm compression
6	Cold water inlet	22mm compression	14	Discharge pipe (not supplied with cylinder)	-
7	Heat pump flow tapping	22mm compression**	15	Mains water supply pipe (not supplied with cylinder)	-
8	Immersion heater c/w control & limit thermostat (factory fitted)	1 3/4" BSPF	16	Drain cock (supplied with cylinder)	-
8A	Immersion heater c/w control & limit thermostat (factory fitted) 300 and 400 only	1 3/4" BSPF	Notes: 1. Pipework between items 11 and 12 not supplied with cylinder. 2. * Secondary return tapping is below Flow and Return tappings on 200L model and below Flow tapping on 150L model. 3. ** Flow and Return tappings are 28mm for 'A rated' 200L model.		

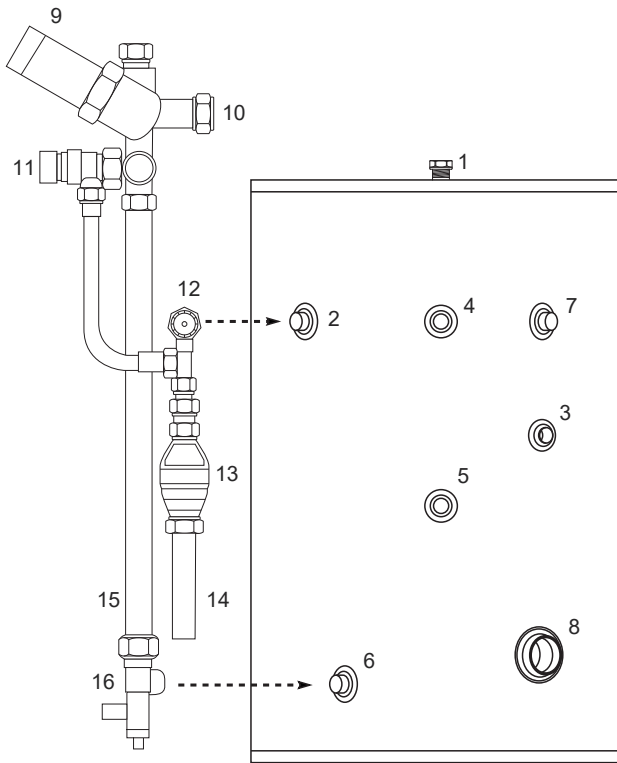


Figure 2-8: MonoWave indirect HP cylinder - 125 model

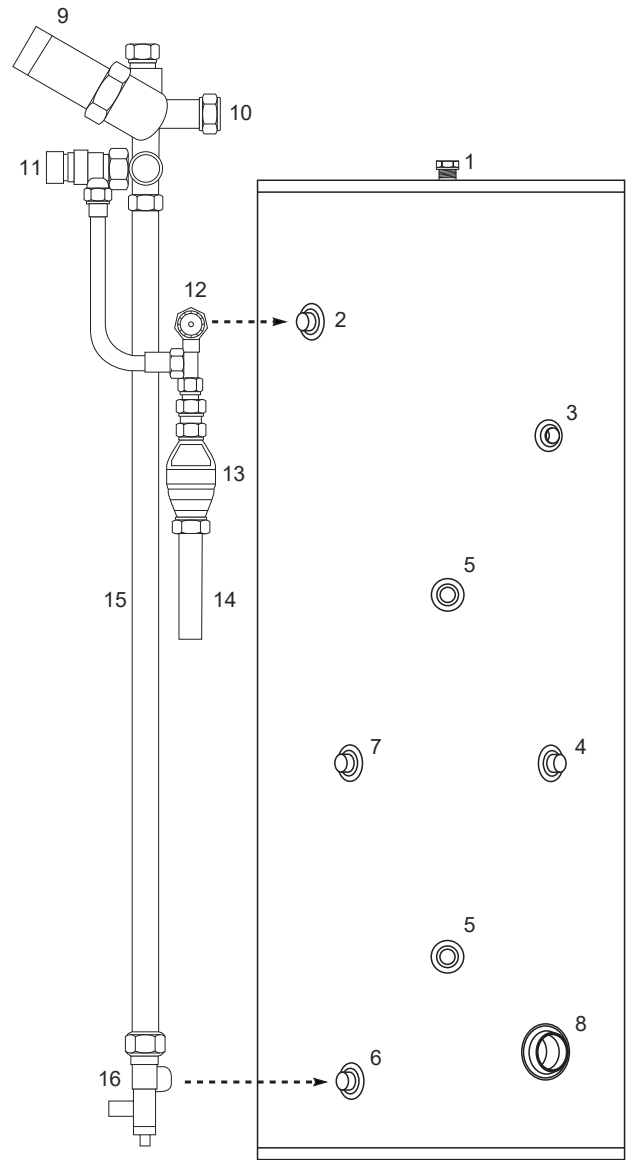


Figure 2-9: 'A-rated' 200L MonoWave indirect HP cylinder

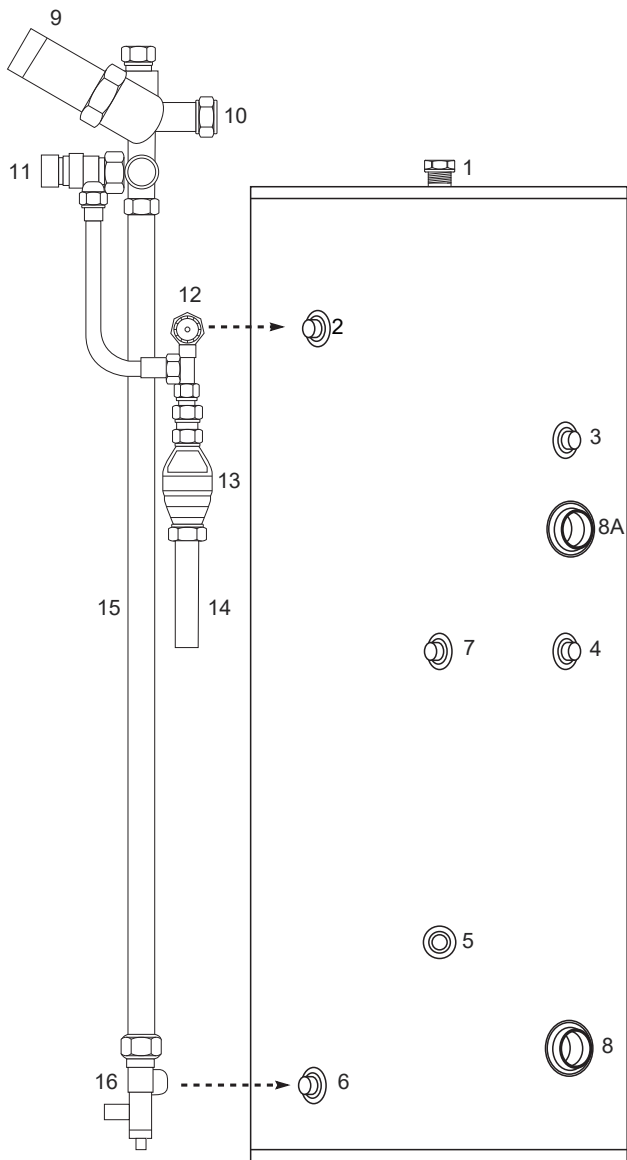


Figure 2-10: Slimline MonoWave indirect HP cylinder (all models)

Table 2-11: Slimline MonoWave indirect HP cylinder connections and controls

Item	Description	Connection Size	Item	Description	Connection size
1	DHW out	22mm compression	9	Pressure reducing valve - 3 bar	-
2	T&P valve connection	1/2" BSPF	10	Balanced cold supply connection	22mm compression
3	Secondary return tapping	22mm compression	11	Expansion relief valve - 6 bar	15mm compression
4	Heat pump return tapping	22mm compression	12	Temperature & Pressure relief valve - 90°C / 7 bar	15mm compression
5	Dual thermostat pocket	-	13	Tundish	15/22mm compression
6	Cold water inlet	22mm compression	14	Discharge pipe (not supplied with cylinder)	-
7	Heat pump flow tapping	22mm compression	15	Mains water supply pipe (not supplied with cylinder)	-
8	Immersion heater c/w control & limit thermostat (factory fitted)	1 3/4" BSPF	16	Drain cock (supplied with cylinder)	-
8A	Immersion heater c/w control & limit thermostat (factory fitted) 300 only	1 3/4" BSPF	Notes: 1. Pipework between items 11 and 12 not supplied with cylinder.		

3 PRIMARY CIRCUIT INSTALLATION

3.1 GRANT MONOWAVE INDIRECT HP CYLINDERS

Grant MonoWave indirect HP cylinders are specifically designed for connection to most fully pumped Air Source Heat Pump systems (such as the Grant AERONA³ Heat Pump range) - either open vented or sealed systems having a maximum working pressure of 3 bar and a maximum working temperature of 90°C. If you are in any doubt over the suitability of an Air Source Heat Pump (other than a Grant AERONA³ heat pump) for use with the cylinder, consult the heat pump manufacturer.

! WARNING !

Solid fuel or wood burning boilers and gravity circulation systems must not be used on the primary circuit of an unvented hot water system.

3.2 PRIMARY CONNECTIONS

1. The primary flow and return connections from the heat pump should be made to the flow and return connections of the cylinder. Refer to Figures 2-6 to 2-10, as appropriate. The motorised valve (supplied) must be fitted into the primary flow.
For all Grant MonoWave Cylinders except the 'A rated' cylinder:
 - The primary flow and return fittings are 22mm compression.
 - The valve has 22mm compression connections.For the 'A rated' cylinder:
 - The primary flow and return fittings are 28mm compression.
 - The valve has 22mm compression connections.
2. Locate the dual thermostat in the stainless steel pocket (refer to Figures 2-6 to 2-10, as appropriate, for location) and secure using the retaining screws on the thermostat housing.
3. Any automatic or manual air vent fitted to vent air from the upper coil should be installed on the primary flow pipe to the coil.

3.3 THE 2-PORT VALVE

To prevent gravity circulation when the boiler or heat pump switches off, the 2-port motorised valve supplied with the unvented hot water kit must be fitted in the primary flow pipe to the cylinder and wired in accordance with either Figure 5-3 or 5-4, as appropriate, for a Grant AERONA³ Heat Pump to comply with current legislation.

For other makes of heat pump please check with the heat pump manufacturer for connection details.

3.4 HARD WATER AREAS

If the cylinder is to be used with a boiler, in a hard water area, we recommend that the primary flow temperature be limited to 75°C. This will help reduce the migration of suspended solids in the water and help prevent the build up of lime scale.

4 SECONDARY CIRCUIT INSTALLATION

4.1 GENERAL

Grant MonoWave indirect HP cylinders are supplied with the safety devices and components loose in a kit, with the exception of the Temperature & Pressure (T&P) relief valve which is factory-fitted. These safety devices and components **MUST** be fitted to the cylinder as detailed in the following Sections 4.2 to 4.13. For a list of these safety devices and components refer to either Table 2-3 or 2-4, as appropriate.

For commissioning and maintenance purposes, it is essential to fit a service valve (not supplied) in the cold water supply pipe, immediately before the inlet manifold.

The ½" drain cock (supplied in the kit) must be fitted in the cold feed to the cylinder to provide a means of draining the unit. Refer to Figures 2-6 to 2-10 (as appropriate) for a suitable drain cock position that will enable most of the cylinder to be drained off when required.

4.2 COLD WATER INLET MANIFOLD

This manifold contains a pressure reducing valve, double check valve and expansion relief valve with a stainless steel seat.

The pressure reducing valve is factory set to 3 bar. The set pressure is shown on top of the valve. The maximum inlet pressure to this valve is 12 bar.

A balanced cold water connection is provided on the inlet manifold. Refer to Figure 4-1. This should only be used to provide balanced cold supplies to shower valves and mixer taps. If the balanced cold water outlet is not required, blank off this port.

4.3 INSTALLATION

1. Cold water supply pipe to be 22mm nominal size.
2. Flush supply pipework before connection to remove all flux and debris prior to fitting the inlet controls. Failure to do this may result in irreparable damage to the controls and will invalidate the warranty.
3. Once the pipework is flushed connect the cold supply to the Inlet manifold.

The manifold can be installed in any position as long as it is installed in the correct flow direction. Refer to the arrows on the side of the body.

Make sure that the head of the expansion relief valve is offset from the cylinder for ease of access.

4. The expansion relief valve should be either horizontal or upright - if fitted inverted, debris may be deposited on the seat and cause fouling of the seat when the valve operates. Check direction of flow arrows.
5. If the installation requires one, a pressure gauge should be sourced and fitted on the cold water supply to the cylinder, between the inlet manifold and the cold water inlet tapping on the cylinder.
6. Connect the expansion vessel directly to the ¾" BSPF connection in the inlet valve manifold body, after removing the black plastic plug. See Figure 4-1 and Section 4.4.
7. The expansion relief drain pipework must be connected to a safe visible discharge point via the tundish (supplied in the unvented hot water safety kit) and the pipework must have a continuous fall.
8. Connect the expansion relief valve outlet into the discharge pipe from the temperature and pressure Relief valve using a 15mm copper pipe and tee piece (not supplied). Fit the tundish below this tee piece using a short length of copper pipe. Refer to Sections 4.9 to 4.13 for further information on the Tundish and Discharge pipe.
9. The pressure reducing valve has two outlets, the second one is for a balanced cold water supply, to a shower or a bidet (over rim type only, ascending spray type requires type AA, AB or AD air gap). Major shower manufacturers advise fitting a mini expansion vessel in the balanced cold supply to accommodate thermal expansion and prevent tightening of shower controls. If the dwelling has a shower mixing valve (manual or thermostatic) or a Bidet (over rim type) use the cold water supply from the balanced cold water connection on the inlet manifold for these outlets. Do not use the balanced cold connection to supply bath taps as this can reduce the flow of water available to the cylinder. If the balanced cold water outlet is not required, blank off the connection.
10. The Benchmark book enclosed with the cylinder should be completed after commissioning of the system.
11. The cylinder must be registered with Grant UK within 30 days of installation. Refer to Section 13 for further details on the Cylinder guarantee.

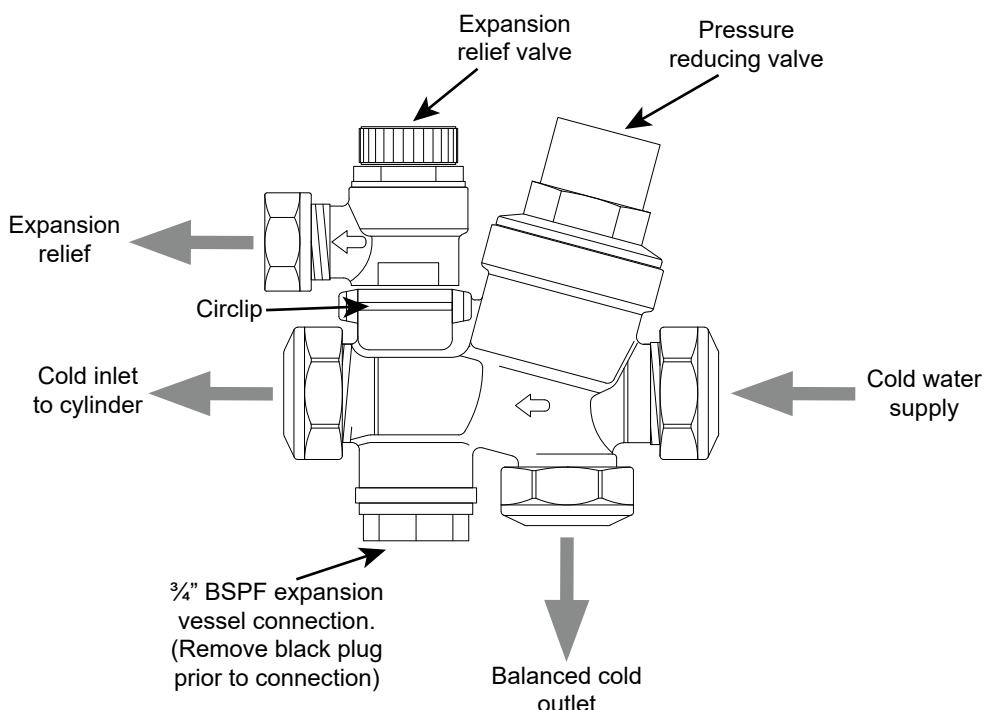


Figure 4-1: Cold water inlet manifold

4.4 EXPANSION VESSEL

A suitable expansion vessel with a pre-charge pressure of 3bar is supplied for fitting to all cylinders.

This expansion vessel must be connected into the cold water supply, between the expansion relief valve (in the inlet manifold) and the cylinder using the flexible hose provided.

A 3/4" BSPF connection is provided on the supplied cold water inlet manifold, for the purpose of expansion vessel connection. Refer to Section 4.3 and Figure 4-1.

Mount the expansion vessel in a suitable position on an adjacent wall to the cylinder using the wall brackets on the vessel.

The expansion vessel must be positioned with the connection point at the bottom.

No valve should be fitted between the expansion vessel and the cylinder.

The air charge pressure in the expansion vessel must be regularly checked (e.g. at every service) and topped up as necessary. The correct air charge pressure is 3.0bar.

Refer to Sections 7.1 and 7.4 for further details.

4.5 TEMPERATURE AND PRESSURE RELIEF VALVE

The temperature and pressure relief valve (T&P Valve) is supplied factory fitted to the cylinder. The T&P valve must not be removed from the cylinder or tampered with in any way. The valve is pre-set to lift at 7bar or 90°C and any attempt to adjust it will invalidate the guarantee.

4.6 HOT WATER SUPPLY

Connect the hot water supply pipe to the top outlet of the cylinder.

4.7 PREVENTION OF SCALDING

Building Regulations Approved Document G (Part G3) requires that the hot water temperature supplied to a bath should be limited to a maximum of 48°C by using an in-line blending valve (not supplied with the cylinder) with a maximum temperature stop.

The length of the supply pipe between the blending valve and the bath hot water outlet should be kept to a minimum to prevent the colonisation of waterborne pathogens (e.g. legionella). Refer to Approved Document G for further details.

4.8 SECONDARY RETURN

All MonoWave indirect HP cylinders are fitted with a secondary return connection. If a secondary return circuit is required it should be connected to the MonoWave indirect HP cylinder as shown in Figure 4-2.

! NOTE !

The 19 litre vessels (supplied with the 170 and 200 litre MonoWave cylinders) and the 24 litre vessels (supplied with the 250 and 300 litre MonoWave cylinders) are EITHER supplied with:

- a 3/4" BSPM connection - allowing for direct connection to the supplied expansion vessel hose.
- OR
- a 22mm compression fitting.

In this instance, a 22mm compression to 3/4" BSPM adapter will be supplied, for connection to the supplied expansion vessel hose.

A short length of 22mm pipe will therefore need to be sourced and fitted between the 22mm compression fittings at the expansion vessel and the expansion vessel hose adapter.

! NOTE !

If a secondary circulation circuit is installed then a larger expansion vessel may be required to handle the increase in volume.

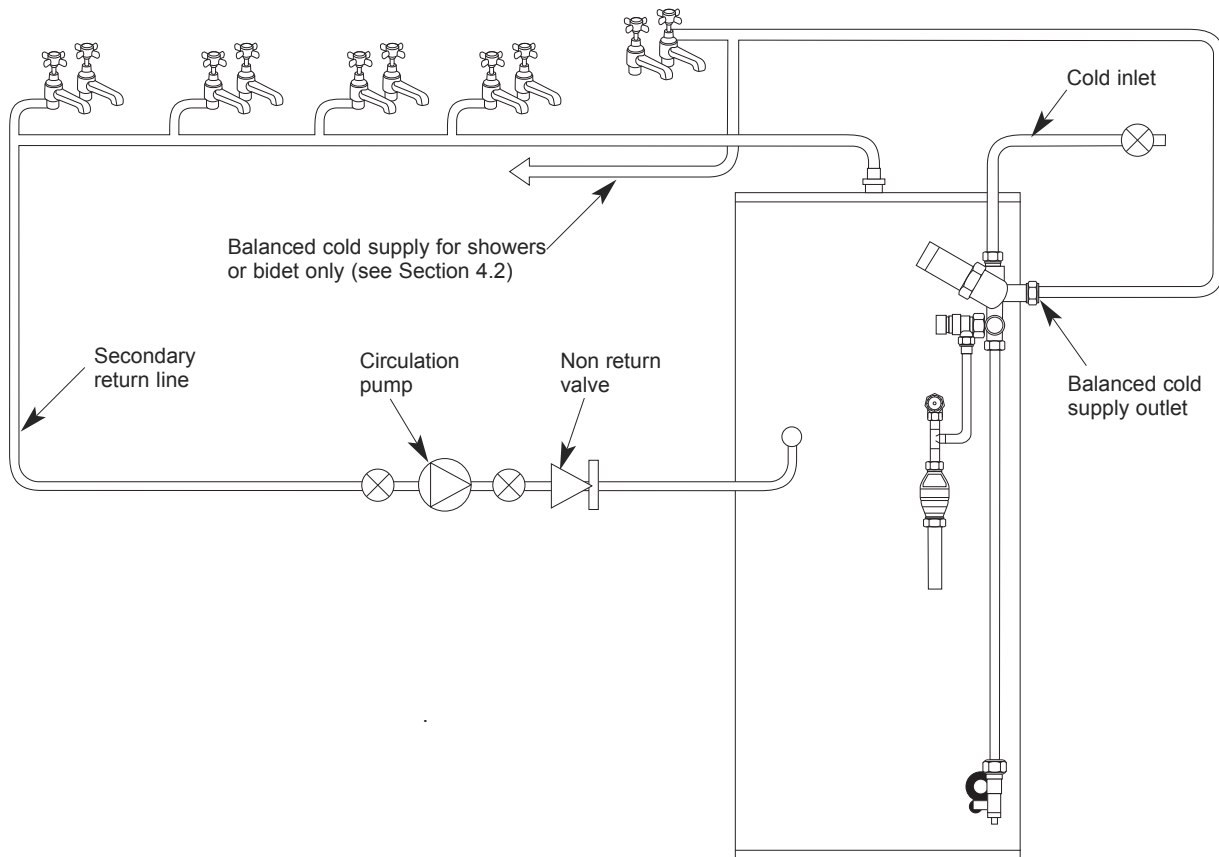


Figure 4-2: Secondary return circuit

4.9 TUNDISH

A suitable tundish is supplied loose with the cylinder for fitting in the common discharge pipe from the T&P and Expansion relief valves.

The tundish should be vertical, located in the same space as the unvented hot water cylinder and be fitted as close to, and lower than, the T&P valve with no more than 600mm of pipe (D1) between the valve outlet and the tundish.

! WARNING !

The tundish must NOT be positioned above or in close proximity of any electrical current carrying devices or wiring.

A discharge pipe must be fitted to the outlet of the tundish. This must conform to the requirements as given in Sections 4.10 to 4.13 of these Installation and User Instructions.

4.10 DISCHARGE PIPE

- The discharge pipe (D2) from the tundish should terminate in a safe place where there is no risk to persons in the vicinity of the discharge.
 - It should be made of metal or other material that has been demonstrated to be capable of withstanding temperatures of the water discharged.
 - Be at least one pipe size larger than the normal outlet size of the safety device unless its total equivalent hydraulic resistance exceeds that of a straight pipe 9m long, i.e. for discharge pipes between 9m and 18m long the equivalent resistance length should be at least two sizes larger than the normal outlet size of the safety device, between 18m and 27m at least three sizes larger and so on.

Bends must be taken into account in calculating the flow resistance. Refer to Sections 4.11, 4.12 and 4.13.

 - Have a vertical section of pipe at least 300 mm long, below the tundish before any elbows or bends in the pipe work.
 - Be installed with a continuous fall of 1:200 (0.286°).
 - Have discharges visible at both the tundish and the final point of discharge but where this is not possible or practically difficult there should be clear visibility at one or other of these locations.
- Examples of acceptable discharge arrangements are:
 - ideally below a fixed grating and above the water seal in a trapped gully.
 - downward discharges at a low level; i.e. up to 100mm above external surfaces such as car parks, hard standings, grassed areas etc. are acceptable providing that where children may play or otherwise come in to contact with discharges, a wire cage or similar guard is positioned to prevent contact, whilst maintaining visibility.
 - discharges at high level; e.g. into a metal hopper and metal down pipe with the end of the discharge pipe clearly visible (tundish visible or not) or onto a roof capable of withstanding high temperature discharges of water and 3m from any plastics guttering systems that would collect such discharges (tundish visible).
- Where a single pipe serves a number of discharges, such as in blocks of flats, the number served should be limited to not more than 6 systems so that any installation can be traced reasonably easily.

The single common discharge pipe should be at least one pipe size larger than the largest individual discharge pipe to be connected.

If unvented hot water storage systems are installed where discharges from safety devices may not be apparent i.e. in dwellings occupied by blind, infirm or disabled people, consideration should be given to the installation of an electronically operated device to warn when a discharge takes place.

! NOTE !

The discharge will consist of scalding water and steam. Asphalt, roofing felt and non-metallic rainwater goods may be damaged by such discharges.

4.11 DISCHARGE PIPE SIZING

Refer to Table 4-1 (discharge pipe sizing).

Table 4-1: Discharge pipe sizing

Valve outlet size Diameter (inches)	Minimum size of discharge pipe D1 (mm)	Minimum size of discharge pipe D2 from tundish (mm)	Maximum resistance allowed, expressed as a length of straight pipe, i.e. no elbows or bends (m)	Resistance created by each elbow or bend (m)
½	15	22	Up to 9	0.8
		28	Up to 18	1.0
		35	Up to 27	1.4
¾	22	28	Up to 9	1.0
		35	Up to 18	1.4
		42	Up to 27	1.7
1	28	35	Up to 9	1.4
		42	Up to 18	1.7
		54	Up to 27	2.3

! NOTE !

The above table is based on copper tube. Plastic pipes may be of a different bore and resistance.

Sizes and maximum lengths of plastic pipe should be calculated using data for the type of pipe being used.

4.12 WORKED EXAMPLE

The example below is for a 1/2" diameter temperature relief valve with a discharge pipe (D2) having 4 x 22mm elbows and a length of 7 m from the tundish to the point of discharge.

From Table 4-1:

Maximum resistance allowed for a straight length of 22mm copper discharge pipe (D2) from a 1/2" diameter temperature relief valve is 9.0m.

Subtract the resistance for quantity of 4 x 22mm elbows at 0.8m each = 3.2m.

Therefore, the maximum permitted length is 9.0 - 3.2 = 5.8m.

5.8m is less than the actual length of 7m; therefore calculate the next largest size.

Maximum resistance allowed for a straight length of 28mm copper discharge pipe (D2) from a 1/2" diameter temperature relief valve is 18m.

Subtract the resistance for a quantity of 4 x 28mm elbows at 1.0m each = 4m.

Therefore, the maximum permitted length is 18 - 4 = 14m.

As the actual length is 7m, a 28mm diameter copper pipe will be satisfactory in this case.

4.13 DISCHARGE PIPE ARRANGEMENT

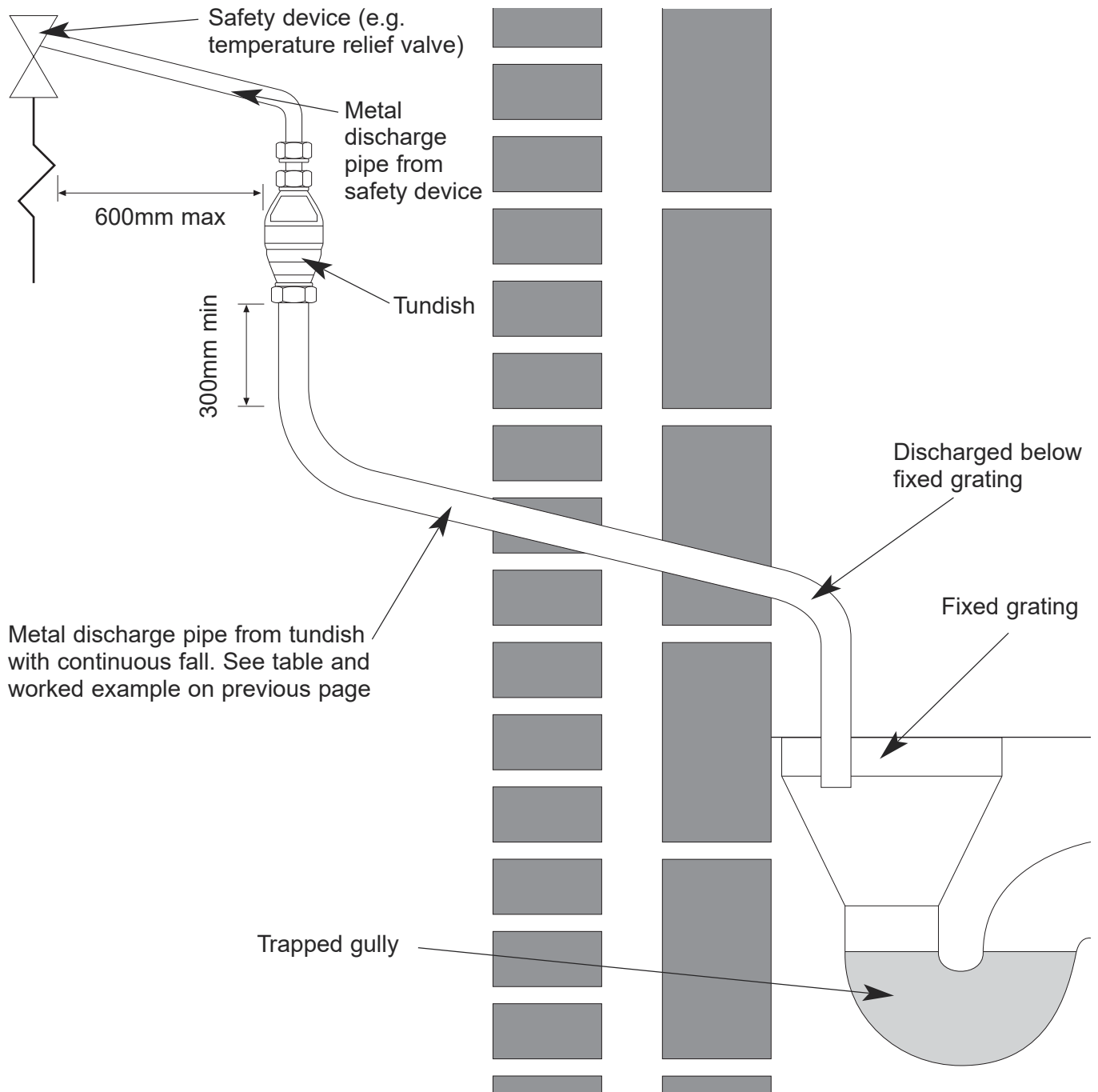


Figure 4-3: Typical discharge pipe arrangement

5 ELECTRICAL

All electrical wiring must be carried out by a competent person and in accordance with the current edition of BS7671 (the I.E.T. Wiring Regulations), including any amendments.

The control equipment supplied must be wired according to these Installation and User Instructions to ensure that the cylinder functions safely.

From an economic and convenience point of view, it is intended that these controls operate in conjunction with other control packages, for example, an "S-plan" type system that incorporates a programmer, etc.

5.1 IMMERSION HEATER

All Grant MonoWave indirect HP cylinders are supplied factory-fitted with one 3kW immersion heater (two are supplied fitted with the 300 and 400 models). These immersion heaters conform to EEC Directive 76/889 for radio interference and comply with EN 60335-2-73.

The BEAB approval certification on this immersion heater only applies if a Cotherm TSE rod type thermostat is used.

The control thermostat is pre-set on position 4 at a temperature of approximately 60°C. Refer to Figure 5-1.

Installation and wiring instructions for the immersion heater are supplied with each unit. The wiring connections are also shown in Figure 5-1. Follow the wiring instructions connecting the live, neutral and earth as indicated.

The immersion heater must be permanently connected to the electrical supply through a double-pole isolator. A safety cut-out is also incorporated within the thermostat and is factory set to operate at 80°C ± 5°C.

The immersion heater is factory fitted to the cylinder. If the immersion heater needs to be replaced it must be fitted to the cylinder using the gasket provided on the unit. Only use a correctly shaped spanner. Stilsons or pipe grips should not be used. The use of sealing compound is not recommended.

! WARNING !

The immersion heater must NOT be used unless it is fully immersed in water.

Always ensure that the cylinder is full of water BEFORE switching on the electrical supply.

5.2 IMMERSION HEATER WIRING INSTRUCTIONS

Ensure that the supply voltage corresponds to the voltage rating of the immersion heater as shown on the rating label on the terminal cover.

Each 3kW 230V 50Hz-immersion heater should be wired in accordance with the instructions given in Figure 5-1.

The cable must be routed through the strain relief bush. The cable grip should be secured using only the screws provided.

It should be wired through a double pole isolator switch or suitable controller, with a minimum break capacity of 13 amp and contact separation of at least 3mm.

Use 85°C heat resistant rubber insulated HOFR sheathed flexible cable, with minimum cross sectional area of 1.5mm², to comply with BS 6141 table 8 and must be fully earthed.

! WARNING !

Always ensure that the immersion heater cap is not covered.

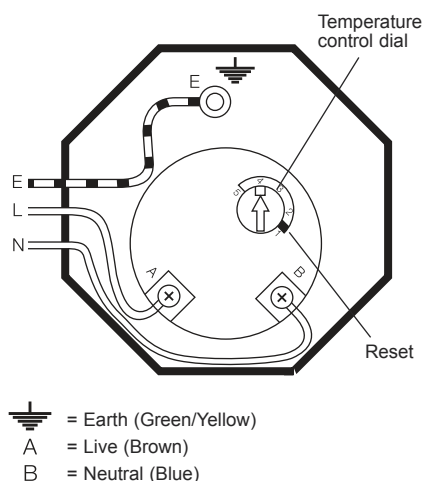


Figure 5-1: Immersion heater wiring connections

! WARNING !

This immersion heater must be earthed.

! WARNING !

The manual reset high limit thermostat must not under any circumstances be by-passed. This is pre-set to 80°C and to prevent nuisance tripping, the control thermostat should always be left in position 4.

5.3 IMMERSION HEATER SAFETY CUT-OUT

The immersion heater incorporates an independent non self-resetting over temperature cut-out device to prevent excessive water temperatures.

In normal operation the reset pin positioned to the side of the control knob and indicated by a triangle (with the word 'safety' below) will be approximately 2-3mm below the upper surface of the thermostat cap.

Should the over temperature cut-out operate, the reset pin will be pushed upwards to become level with or slightly above the cover.

Wait until the temperature has fallen sufficiently. Then Investigate and identify the cause of the cut-out operation and rectify the fault.

Then manually reset the cut-out by pressing in the reset pin to its normal operating position using hand pressure only with a suitably sized implement.

! WARNING !

Before removing the immersion heater covers to either reset the safety cut-out or check/alter the thermostat setting, ensure that the electrical supply is isolated.

Ensure the cover to the immersion heater cover is replaced correctly and the retaining nut is fitted. Finally switch the mains electricity supply back on.

5.4 DUAL THERMOSTAT

A Dual Thermostat (a combined control and high limit thermostat) is supplied separately with the unvented hot water safety kit. This is fitted into the sensor pocket in the cylinder (refer to Figures 2-6 to 2-10, as appropriate, for position) to control the operation of the boiler or heat pump primary coil.

The cylinder control thermostat has an adjustment range between 25°C and 65°C. It is recommended that it is set to 60°C.

The high limit (overheat) thermostat will automatically operate at 90°C.

For details on the correct wiring connections, refer to either Figure 5-3 or 5-4 (as appropriate).

5.5 2-PORT VALVES

To comply with the regulations governing the installation of indirect unvented hot water cylinders, a 2-port motorised valve must be fitted in the primary flow to prevent gravity circulation when the boiler switches off.

Your Grant MonoWave indirect HP unit has been supplied with a 2-port motorised valve, which will act as a positive energy cut-out should the high limit (overheat) thermostat (in the dual thermostat) operate. If this happens, the 2-port zone valve will operate and shut off the primary flow to the cylinder.

When installed as part of an "S-plan" type of heating control system, this motorised valve will also control the temperature of the domestic stored water via the cylinder control thermostat, (located in the dual thermostat). Refer to Figure 5-2 for a representation of an "S-plan" system using a Grant MonoWave indirect HP cylinder and a Grant Aerona³ heat pump.

This valve should be wired in accordance with either Figure 5-3 or 5-4 (as appropriate) for a Grant Aerona³ heat pump, to comply with current legislation.

For other makes of air source heat pump, other than the Grant Aerona³, consult the heat pump manufacturer for electrical connection details.

5.6 HEAT PUMP INTERFACE BOX

The Grant EP002 heat pump interface box (supplied with all Grant Aerona³ air source heat pumps) is designed to provide the voltage free switching for the Aerona³ air source heat pump, using the space heating and hot water switched live outputs from the control system wiring centre.

This box can be installed next to the heating system wiring centre. Alternatively, it can be located nearer to the Aerona³ heat pump, but NOT be installed externally.

Refer to the Aerona³ installation instructions for further details.

This interface box is NOT required when the cylinder is used with a Grant oil boiler.

5.7 “S PLAN” SCHEMATIC AND WIRING DIAGRAMS

The following system diagram (refer to Table 5-1 and Figure 5-2) is only a concept drawing, not a detailed engineering drawing, and is not intended to describe a complete system, nor any particular system.

It is the responsibility of the system designer, not Grant UK, to determine the necessary components for and configuration of the particular system being designed including any additional equipment and safety devices to ensure compliance with building and safety code requirements.

Table 5-1: Key to Figure 5-2

Key	Description
1	Expansion vessel
2	Pressure gauge
3	Pressure relief valve
4	Tundish
5	Removable filling loop
6	Double check valve
7	Automatic air vent
8	Thermostatic radiator valve
9	Automatic system by-pass
10	Flexible hose
11	Isolation valve
12	Volumiser
13	Motorised 2-port valve (CH)
14	Motorised 2-port valve (DHW)
15	Additional circulating pump (refer to Section 8.3.7 of installation instructions supplied with Aeronas ³ ASHP)
16	Drain point
17	By-pass (HPID13R32 & HPID17R32 only)
18	Mag One magnetic filter

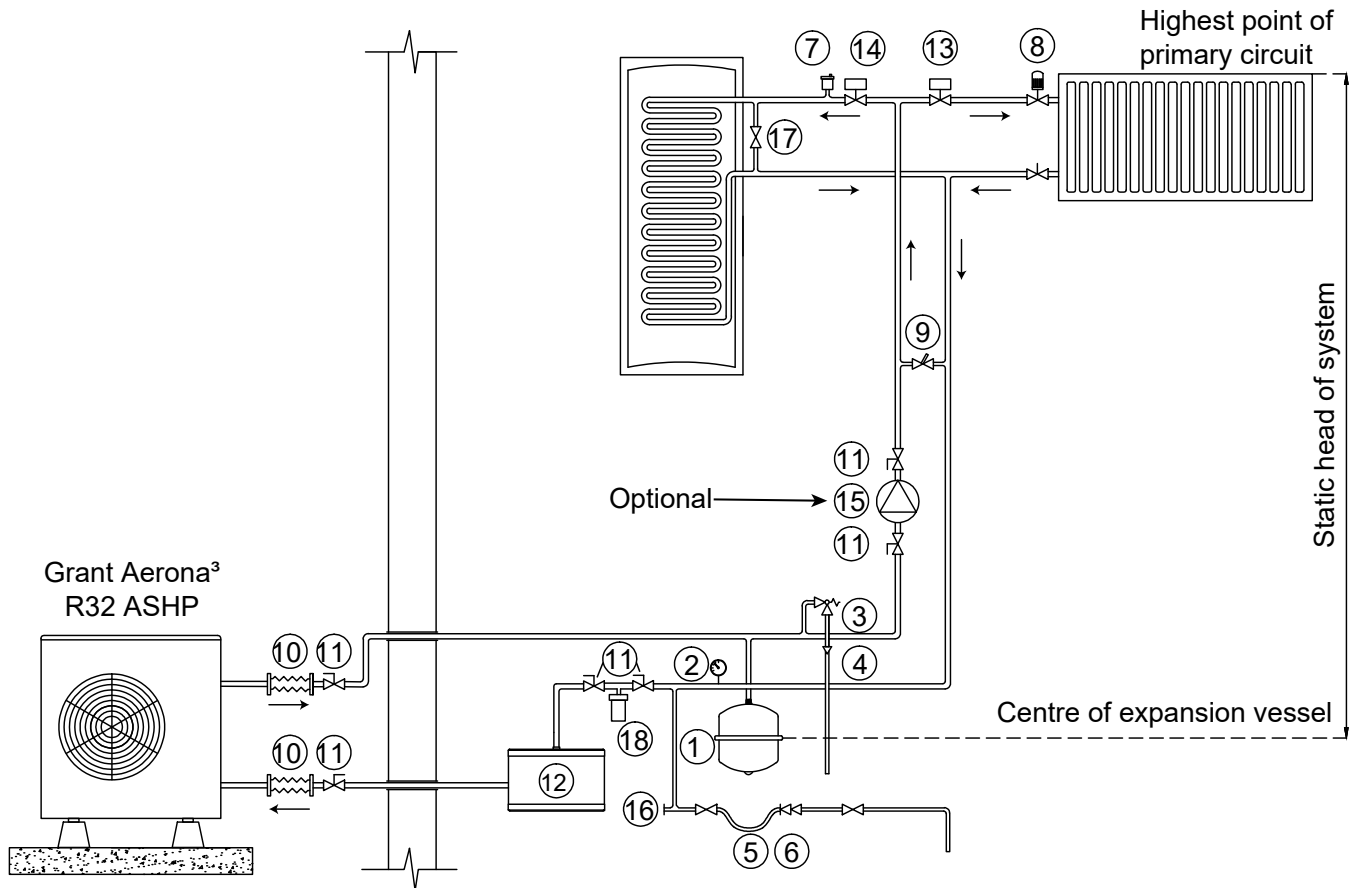


Figure 5-2: Monovalent system - with S-Plan type controls

The control system shown in this diagram ensures that there can be no demand for space heating and hot water at the same time.

In order to achieve this type of operation, the programmer **MUST NOT** have a built-in connection between the live connection (driving the timer) and the two programmer switches.

The programmer shown in this diagram is an example of one that meets this requirement, as the installer is required to fit links between the mains live and the programmer switches for mains voltage systems.

Aerona ³ ASHP Wiring Terminals	
19	Hot water
20	Heating
18 and 21	Common

! NOTE !

The volt free remote contact is provided by the Grant EP002 Interface relay box. Refer to the installation instructions supplied with the Aerona³ ASHP for further details.

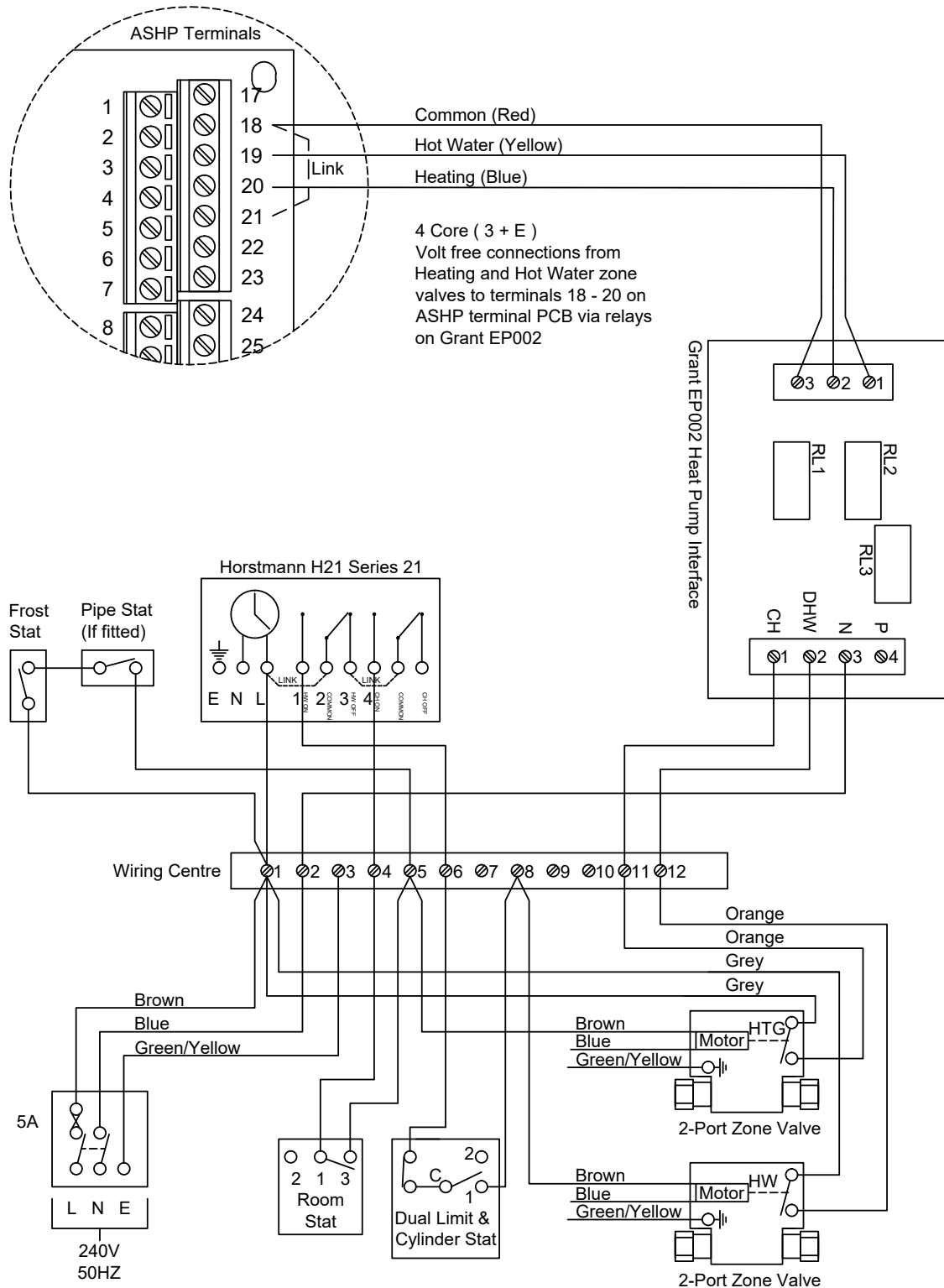


Figure 5-3: S-plan system connection diagram (HW priority provided by programmer)

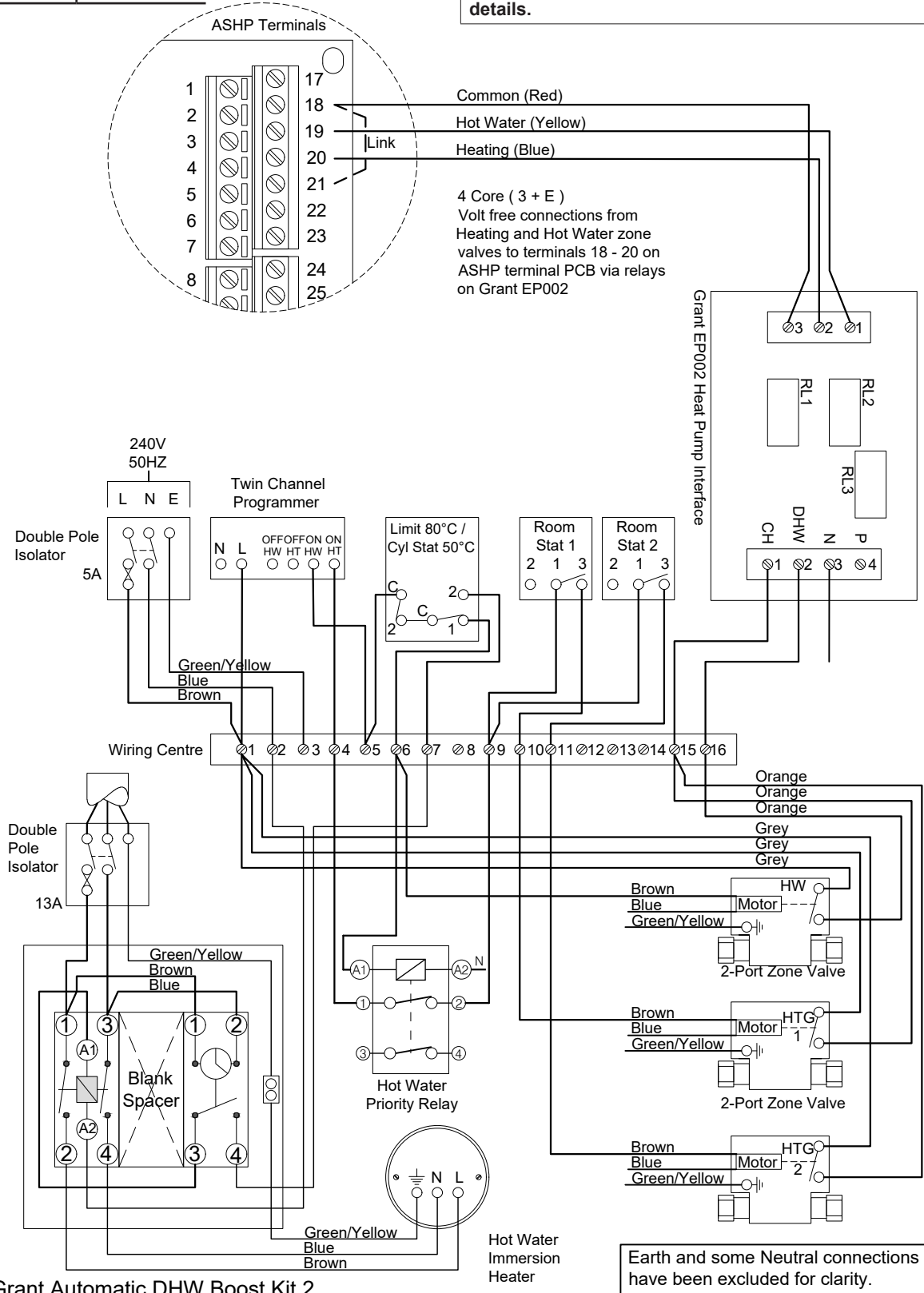
The control system shown in this diagram includes the Grant hot water priority relay (product code: HPWPR1). This ensures that there can be no demand for space heating and hot water at the same time.

Any demand from the programmer and cylinder thermostat for hot water will activate the relay, immediately interrupting any heating demand from the programmer. This will remain interrupted until the demand for hot water stops - either the cylinder thermostat is satisfied or there is no hot water output from the programmer.

For information regarding the operation of the DHW Boost Kit shown in this control system wiring diagram, please refer to Section 5.4 of the Aerona³ ASHP installation instructions.

Aerona ³ ASHP Wiring Terminals	
19	Hot water
20	Heating
18 and 21	Common

! NOTE !
 The volt free remote contact is provided by the Grant EP002 Interface relay box. Refer to the installation instructions supplied with the Aerona³ ASHP for further details.



Grant Automatic DHW Boost Kit 2

Figure 5-4: S-plan system connection diagram with Grant HW priority relay and DHW Boost Kit 2

6 COMMISSIONING, DRAINING DOWN AND SAFETY

6.1 FILLING THE CYLINDER

! CAUTION !

Before filling the cylinder check that the immersion heater has not loosened in transit. Tighten as necessary using a shaped spanner. Stillsons or pipe grips should not be used.

1. Ensure that all connections are fully tightened.
2. Ensure that the service valve in the cold water supply is closed.
3. Open all hot water taps supplied by the cylinder.
4. Slowly open the service valve in the cold water supply.
5. Continue to fill the cylinder until water flows from all taps.
6. Open the service valve fully and close all the hot taps.
7. Allow system to stabilise for five minutes.
8. Open each hot water tap in turn to expel air from the system pipe work.
9. Check for leaks.
10. Manually operate Temperature and Pressure Relief Valve (12) – Figures 2-6 to 2-10, to ensure free water flow through discharge pipe. (Turn knob to left).
11. Heat the water to chosen temperature and then close the service valve.
12. Drain the cylinder to flush out any flux/solder from the installation process. Refer to Section 6.2 below.
13. Re-fill the cylinder – as described above.
14. Re-heat cylinder to the required temperature and re-check for leaks.

6.2 DRAINING DOWN

1. Switch off the electrical power to the immersion heater (important to avoid damage to the element).
2. Switch off the heat pump (or boiler).
3. Turn off the cold water service valve (or stop cock).
4. Open all hot water taps.
5. Open drain cock in cold water supply to drain unit down. Refer to Figures 2-6 to 2-10, as appropriate.

6.3 IMMERSION HEATER SAFETY CUT-OUT

The immersion heater incorporates an independent non self-resetting over temperature cut-out device to prevent excessive water temperatures. Refer to Section 5.3 for further details.

The safety cut-out will operate if:

- a. The wiring is incorrect.
- b. The immersion heater thermostat or cylinder thermostat fails.
- c. Thermostat is set too high.

To reset the safety cut-out:

1. Unscrew and remove the nut holding the immersion heater cover in place.
2. Remove the immersion heater cover.

! WARNING !

Before removing the immersion heater cover, to either reset the safety cut-out or check/alter the thermostat setting, ensure that the electrical supply is isolated.

3. The safety cut-out reset pin is positioned to the side of the control knob (indicated by a triangle with the word 'safety' below). Refer to Figure 5-1.
 4. If the cut-out has operated, the reset pin will be pushed upwards (to be level or slightly above the cover).
 5. Wait until the temperature has fallen sufficiently.
 6. Investigate and identify the cause of the cut-out operation and rectify the fault.
 7. Press in the reset pin (to its normal operating position) to reset the cut-out. Use hand pressure only with a suitably sized implement.
 8. Refit the immersion heater cover correctly and secure in position with retaining nut.
 9. Switch the mains electricity supply back on.
- If the problem persists, please contact your installer.

6.4 COLD WATER DISCHARGE FROM TUNDISH

There are two reasons why cold water will discharge from the tundish:

1. The pressure reducing valve has malfunctioned (This will cause a large volume of water to flow through the tundish).
2. The Expansion relief valve is letting by (This will cause a very low volume of water to flow through the tundish).

In both cases, identify the defective component and replace. All repairs must be carried out by a competent person.

6.5 HOT WATER DISCHARGE FROM TUNDISH

There are four reasons why hot water will discharge from the tundish:

1. Thermal cut-out has malfunctioned.
2. The control thermostat has malfunctioned.
3. The T & P valve is letting by.
4. The expansion vessel has failed or lost its charge.

In all cases, should a repair be necessary, the work must be carried out by a competent person.

Isolate the cylinder from all electrical supplies before commencing maintenance work.

6.6 EXPANSION VESSEL

1. The expansion vessel is connected into the cold water supply to the cylinder.

! NOTE !

No valve should be fitted between the expansion vessel and the supply pipe.

2. Ensure that the air charge in the vessel matches the pressure setting shown on the pressure reducing valve.
3. The expansion vessel must be installed even if an accumulator is fitted.
4. The charge of the vessel must be checked at every annual service.

6.7 SETTING THE CYLINDER BY-PASS

The Grant MonoWave indirect HP cylinder MUST be fitted with a simple by-pass between the primary flow and return pipes at the cylinder when used with either a Grant Aerona³ HPID13R32 (13kW) or HPID17R32 (17kW) heat pump. Refer to Section 1.8 – Cylinder By-pass.

This by-pass must be set during commissioning, as follows:

First, set the water pump output to Level 1 (minimum). Refer to the Aerona³ installation instructions for further details on this procedure.

With the system operating to only heat the cylinder (i.e. with no space heating demand), progressively open the gate valve and reduce the flow of water through the cylinder coil enough to prevent any water flow noise from the cylinder.

6.8 CUSTOMER HANDOVER

1. Complete the Benchmark book supplied with the cylinder and leave it with the user.
2. Explain the operation of the system to the User, referring to Section 12 of these instructions.
3. In particular, make the user aware of what to do if water is seen to flow from either the T&P Valve or Expansion relief Valve.
4. Refer the user to the Information given in Section 12 of these instructions.

! NOTE !

Leave these Installation, Servicing and User instructions with the user for future reference.

7 MAINTENANCE

7.1 SERVICING AND MAINTENANCE

1. Servicing and maintenance must only be carried out by a competent unvented hot water installer, or by Grant Engineering (UK) Limited authorised personnel.
2. Before any work whatsoever is carried out on the installation, it MUST first be isolated from the electricity supply.

! WARNING !

Both the primary and secondary systems will contain very hot water that will scald; therefore care should be taken when opening any joints, seals or valves.

3. Only use spare parts authorised by Grant Engineering (UK) Limited. The use of unauthorised spare parts will invalidate the guarantee.
4. Drain the cylinder – When draining the cylinder, always switch off the boiler/heat pump and the immersion heater first. Turn off the water supply at the service valve or mains stopcock.
Connect a hose pipe to the drain cock (see Figures 2-6 to 2-10) and route it to a convenient gully. Open the drain cock and all hot taps that are served by the cylinder. The cylinder may take several minutes to empty completely.
5. In hard water areas it may be necessary from time to time to remove and de-scale the immersion heater element. Replace the gasket each time it is removed.
6. Check any in-line strainers which may be fitted in the cold supply to the cylinder and clean if necessary.
7. Remove the expansion relief valve cartridge. Check and clean valve seat. Replace cartridge. Refer to Section 7.3 for further information.
8. Check the charge pressure in the expansion vessel and top up as necessary. The charge pressure should be 3.0 bar. Refer to section 7.4 for further information.
9. Whilst the hose pipe is connected, the drain cock open and with the immersion heater removed, the cylinder may be flushed out to remove any debris, sand or lime scale particles that may have collected in the bottom by using a further hose pipe connected to the cold water main.
10. Close the drain cock, disconnect the hose, refit the immersion heater and close all hot water taps before re-opening the stopcock. Allow the cylinder time to fill whilst checking for any leaks. Release any air from the system by opening each hot water tap individually, starting with the one furthest from the cylinder.
11. Manually lift the expansion relief and temperature and pressure relief valve one at a time, every 12 months (more frequently in hard water areas) to prevent debris from building up behind the valve seat. Whilst carrying out this operation, check that the discharge to waste is unobstructed. Check that each valve seals correctly when released. As the valves are pre-calibrated, they require no further maintenance.
12. Finally switch on the mains electricity supply to the immersion heater and the boiler. As the system heats up, check again for any leaks and rectify as necessary.

7.2 INLET MANIFOLD ASSEMBLY

The inlet manifold assembly should not, under normal circumstance, require any maintenance. During annual servicing it may be necessary to inspect and/or clean the expansion relief valve cartridge. The frequency of cleaning will depend on the local water conditions.

7.3 EXPANSION RELIEF VALVE CARTRIDGE

1. Isolate the cold water supply.
2. Remove the un-sprung circlip retaining the expansion relief valve cartridge in the inlet manifold body. See Figure 4-1.
3. Carefully remove the expansion relief valve cartridge from the inlet manifold body. It is a push fit type fitting, so gently pull on the body of the cartridge until it is released.
4. Clean valve seat face and seating - do not scratch or damage either seat face or seating.
5. Refit in reverse order.
Ensure that the circlip is fully inserted into its seat.
Expansion valve cartridge (Grant UK product code: GCS08).

! CAUTION !

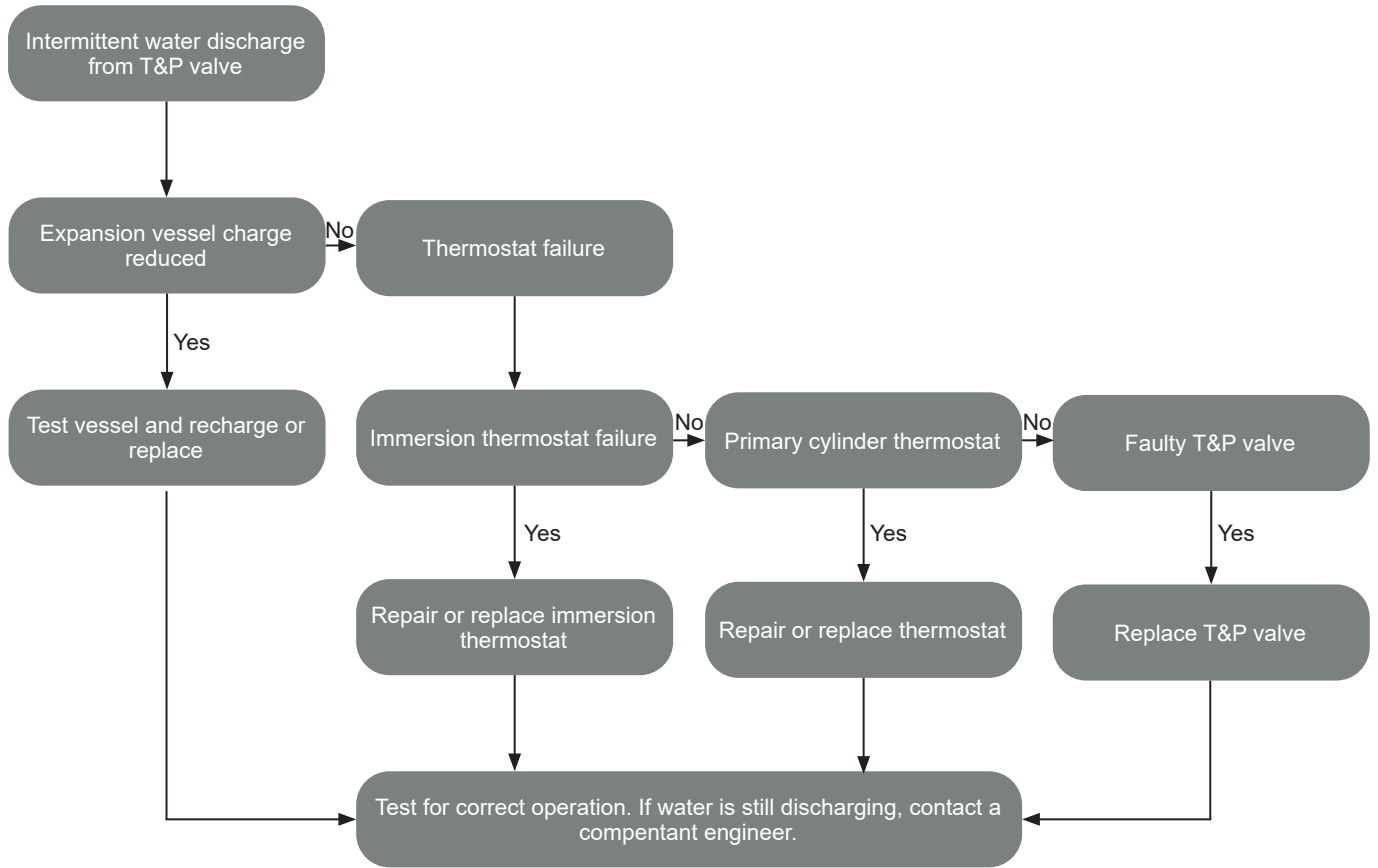
Upon re-fitting the circlip used to retain the push-fit expansion relief valve into the inlet manifold body, ensure the circlip is fully inserted into its seat.

7.4 EXPANSION VESSEL

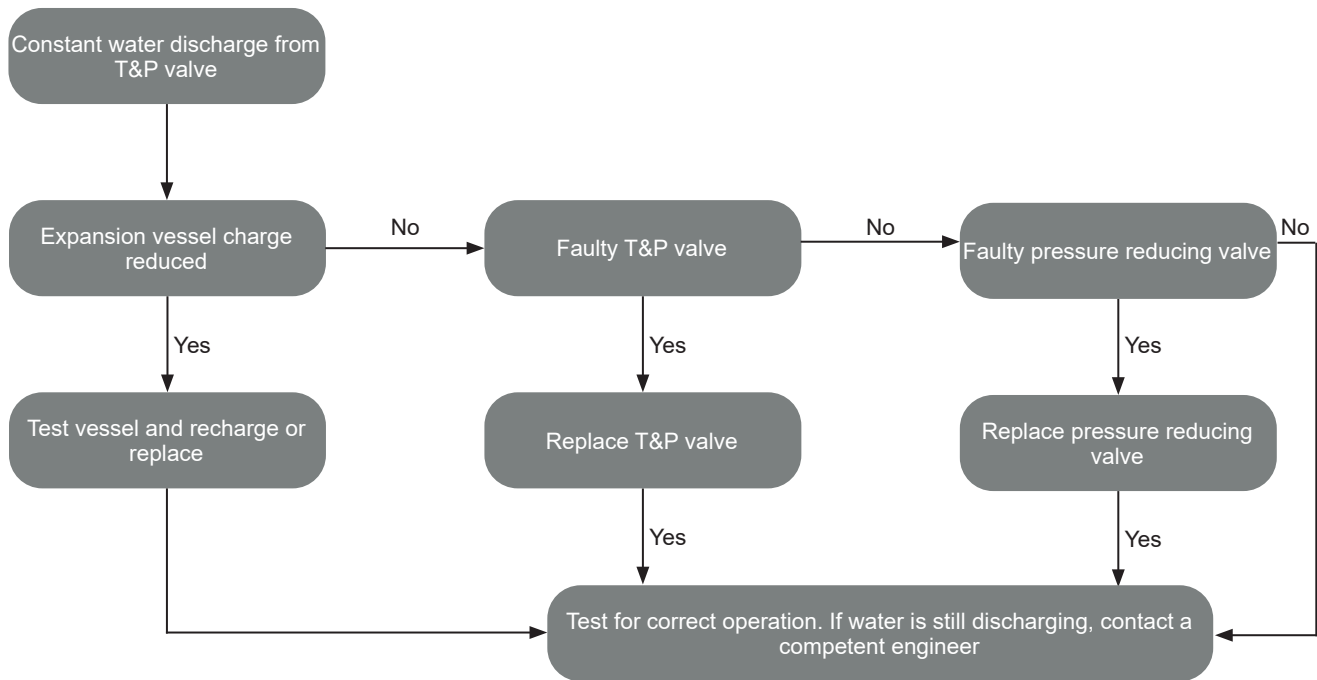
1. Isolate the cold water supply.
2. Open hot water taps.
3. Drain cylinder to below the expansion vessel flexible hose connection.
4. Check expansion vessel air charge.
5. Replace expansion vessel if necessary.
6. Close drain off cock and turn on cold water supply.
7. Refill cylinder whilst checking for leaks.
8. When water is flowing freely from taps close taps.

8 FAULT FINDING

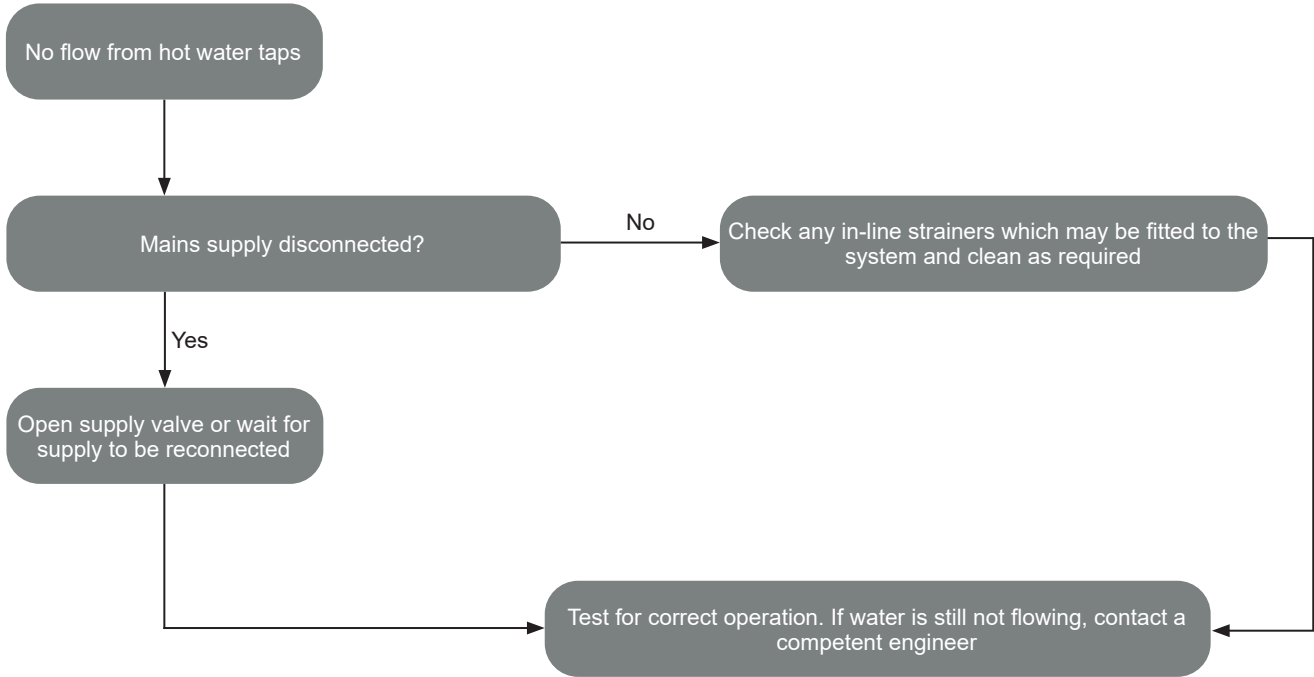
8.1 INTERMITTENT WATER DISCHARGE



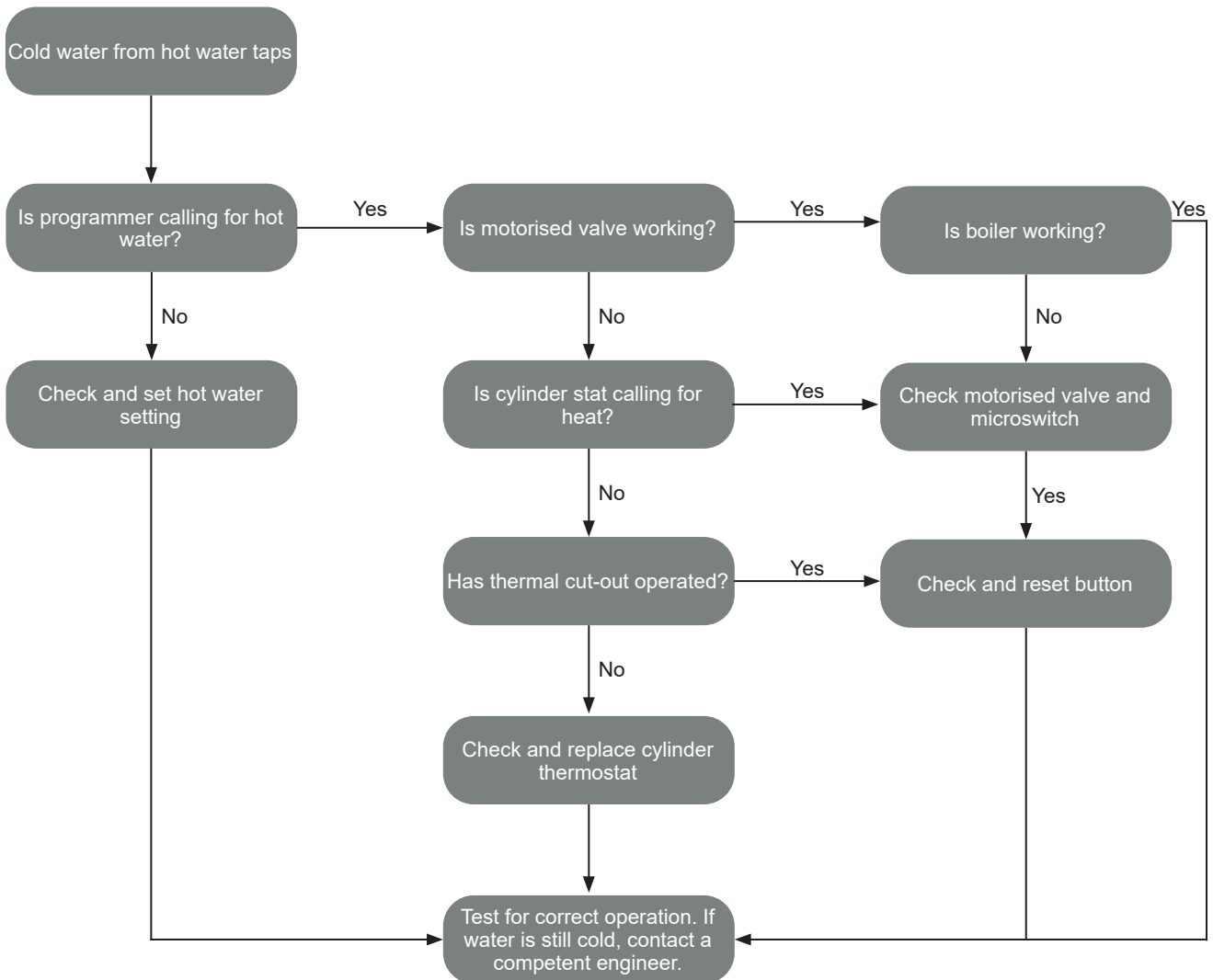
8.2 CONSTANT WATER DISCHARGE



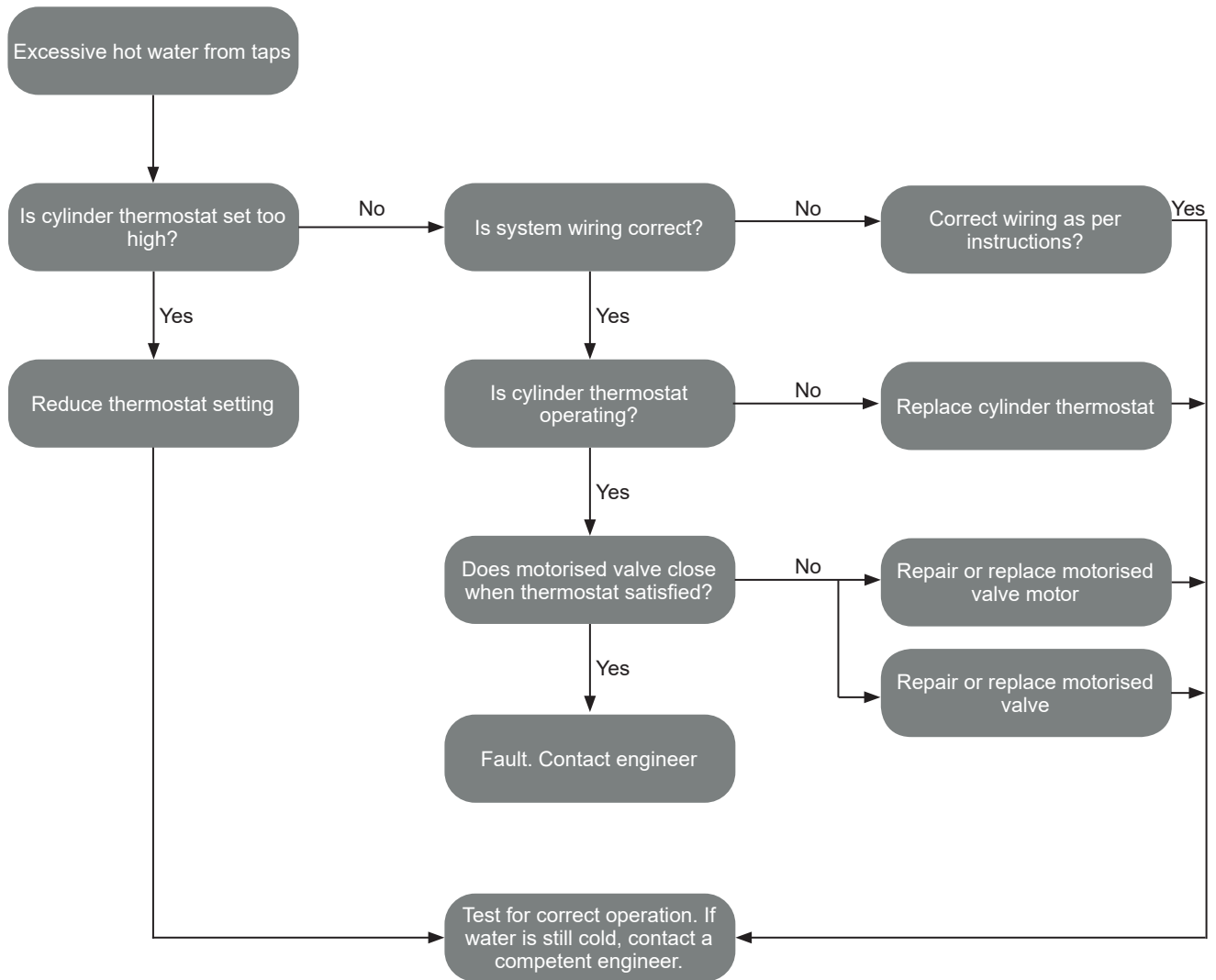
8.3 NO FLOW FROM HOT WATER TAPS



8.4 COLD WATER FLOW FROM HOT WATER TAPS



8.5 EXCESSIVE HOT WATER FROM TAPS



9 SPARE PARTS

9.1 SPARE PARTS

Table 9-1: MonoWave indirect HP cylinder - spare parts

Product description	Product code
Inlet manifold c/w 3 bar pressure reducing valve and 6 bar expansion relief valve	GCS07
Expansion relief valve - 6 bar	GCS08
½" Temperature and pressure relief valve 90°C / 7 bar	GCS09
Tundish - 15mm / 22mm compression	GCS10
Control / Limit thermostat	GCS11
3kW immersion heater element - Cotherm type ELE14-IN-800-UNV	GCS30
Immersion heater thermostat - Cotherm type TSE	GCS31
3kW immersion heater element (Cotherm type ELE14-IN-800-UNV) and thermostat (Cotherm type TSE)	GCS13
Drain cock	GCS14
2-port motorised valve (22mm)	GCS20
12 litre expansion vessel with ¾" BSPM connection (12 litre actual volume) (125L and 150L models)	GCS23
19 litre expansion vessel with ¾" BSPM connection OR 22mm compression fitting * (18 litre actual volume) (170L and 200L models only)	GCS01A
24 litre expansion vessel with ¾" BSPM connection OR 22mm compression fitting * (22 litre actual volume) (250L and 300L models only)	GCS04A
35 litre expansion vessel with 1" BSPM connection (35 litre actual volume) (400L models only)	GCS05A
Expansion vessel hose - ¾" BSPF x ¾" BSPM	GCS02

* Refer to Section 4.4 for further details.

10 PRODUCT FICHE

Product fiche concerning the
COMMISSION DELEGATED REGULATIONS
(EU) No 812/2013 of 18 February 2013
(EU) No 814/2013 of 2 August 2013

Model	Model identifier	Energy efficiency	Standing loss (W)	Storage volume (litres)
125	HPMONO/IND125	C	41	118
150	HPMONO/IND150	C	46	136
170	HPMONO/IND170	C	60	165
200	HPMONO/IND200	B	60	188
'A Rated' 200	HPMONOA/IND200	A	43	202
250	HPMONO/IND250	C	68	222
300	HPMONO/IND300	C	79	274
400	HPMONO/IND400	C	99	356

11 END OF LIFE INFORMATION

GENERAL

Grant hot water storage cylinders and thermal stores incorporate components manufactured from a variety of different materials. The majority of these materials can be recycled whilst the smaller remainder cannot.

Materials that cannot be recycled must be disposed of according to local regulations using appropriate waste collection and/or disposal services.

DISASSEMBLY

There is little risk to those involved in the disassembly of the cylinder or thermal store if the process is undertaken with care and reasonable precautions are taken.

RECYCLING

Many of the materials used in Grant hot water storage cylinders and thermal stores can be recycled, as listed below:

COMPONENT	MATERIAL
Shell	Stainless steel (duplex 2034)
Internal coils	Stainless steel
Compression connections	Brass
Outer casing	Steel (acrylic coated)
Top/bottom caps	ABS (acrylic capped)
T&P valve	Brass
Immersion heater	Brass/stainless steel
Dual thermostat	Plastic/copper
Expansion vessel	Stainless steel
Cold water inlet manifold	Brass

DISPOSAL

All materials other than those listed above must be disposed of responsibly as general waste.



Neil Sawers
Technical Manager

Grant Cylinder Fiche V1.3 06/02/2019

12 USER INSTRUCTIONS

12.1 USER INSTRUCTIONS

Your Grant MonoWave indirect HP cylinder has been designed to give many years of trouble-free service and is made from hygienic high grade stainless steel.

IMMERSION HEATERS

Your Grant MonoWave indirect HP cylinder is fitted with one 3kW immersion heater (two 3kW immersion heaters are fitted to the 300 & 400 models). Refer to Section 5.1 for further details.

The immersion heater/s in the cylinder can be used to heat your hot water when your heat pump (or boiler) is switched off, e.g. during the summer months.

In the case of a Grant Aeronas³ heat pump, this immersion heater may also be used to assist in the heating of your hot water if you have a Grant Boost Kit fitted. Check with your installer.

The cylinder immersion heater/s has been factory-set to position 4 (refer to Figure 5-1) to give a hot water temperature of around 60°C.

The immersion heater/s incorporates an independent non self-resetting over temperature cut-out device to prevent excessive water temperatures. If this safety cut-out operates it can be re-set. Refer to Section 6.3.

If the problem persists, please contact your installer.

DUAL THERMOSTAT

Your Grant MonoWave indirect HP cylinder is also fitted with a Dual Thermostat (mounted on the cylinder). Refer to Section 5.4 for further details.

The cylinder control thermostat has an adjustment range between 25°C and 65°C. It is recommended that it is set to 60°C.

The high limit (overheat) thermostat will automatically operate if the water temperature reaches 90°C. If this operates it can be re-set. To do this, first wait for the cylinder to cool down. Then unscrew the plastic cap and press in the small re-set pin.

If the problem persists, please contact your installer.

TEMPERATURE SETTINGS

The hot water temperatures on the cylinder immersion heater and dual thermostat should not be set any higher than 60°C otherwise nuisance tripping of either the immersion heater safety cut-out, or the high limit thermostat (in the dual thermostat) will occur.

If you are in any doubt, these temperature adjustments should be best left to your installer.

HOT WATER

When a hot tap is turned on there may be a short surge of water, this is quite normal with unvented systems and does not mean there is a fault.

When you first fill a basin the water may sometimes appear milky. This is due to very tiny air bubbles in the water, which will clear very quickly.

! WARNING !

If water is seen to flow from either the Temperature & Pressure Relief (T&P Valve) valve or the Expansion Relief Valve (EV) on the cylinder seek expert advice immediately.

If the water is flowing from the T&P Valve, immediately:

1. Shut off the electrical supply to the immersion heater(s).
2. Shut down the boiler or other heat sources to the cylinder e.g. solar, heat pump, etc.
3. DO NOT SHUT OFF THE WATER SUPPLY TO THE CYLINDER.
4. Contact your installer to check the system.

IMPORTANT

Do NOT tamper with any of the Safety controls fitted to the cylinder. If you suspect a fault always contact a competent installer who is qualified to work on unvented water cylinders.

13 GUARANTEE

You are now the proud owner of a cylinder/thermal store from Grant Engineering (UK) Limited, which has been designed to give you years of reliable, trouble free operation.

Grant Engineering (UK) Limited guarantees the manufacture of the cylinder/thermal store including all electrical and mechanical components for a period of **twelve months from the date of installation⁴**, provided that the cylinder/thermal store has been installed in full accordance with the installation and servicing instructions issued.

This will be extended to a total period of **two years** if the cylinder/thermal store is registered with Grant Engineering (UK) Limited **within thirty days of installation⁴** and is serviced at twelve monthly intervals³. See main Terms and Conditions below.

In addition, the stainless steel (shell) used in the manufacture of the cylinder/thermal store is guaranteed for a period of **twenty five years** from the date of installation⁴.

Registering the product with Grant Engineering (UK) Limited

Please register your cylinder/thermal store with Grant Engineering UK Limited **within thirty days of installation**. To do so visit www.grantuk.com and follow the links to the 'Homeowners Zone', where you can register your cylinder/thermal store for a further **twelve months** guarantee (giving **two years** from the date of installation⁴). This does not affect your statutory rights¹.

If a fault or defect occurs within the manufacturer's guarantee period

If your cylinder/thermal store should fail within the guarantee period, you must contact Grant Engineering (UK) Limited who will arrange for the repair under the terms of the guarantee, providing that the cylinder/thermal store has been correctly installed, commissioned and serviced (if the appliance has been installed for more than twelve months) by a competent person and the fault is not due to tampering, misuse or the failure of any external components not supplied by Grant Engineering (UK) Limited, e.g. pipework, etc.

This two year guarantee only applies if the cylinder/thermal store is registered with Grant Engineering (UK) Limited within thirty days of installation⁴ and is serviced after twelve months³.

In the first instance

Contact your installer or commissioning engineer to ensure that the fault does not lie with the system components or any incorrect setting of the system controls that falls outside of the manufacturer's guarantee otherwise a service charge could result. Grant Engineering (UK) Limited will not be liable for any charges arising from this process.

If a fault covered by the manufacturer's guarantee is found

Ask your installer to contact Grant Engineering (UK) Limited Service Department on +44 (0)1380 736920 who will arrange for a competent service engineer to rectify the fault.

Remember - before you contact Grant Engineering (UK) Limited:

- Ensure the cylinder/thermal store has been installed, commissioned and serviced by a competent person in accordance with the installation and servicing instructions.
- Ensure the problem is not being caused by the heating system, its controls or any system connected to it.

Free of charge repairs

During the **two year** guarantee period no charge for parts or labour will be made, provided that the cylinder/thermal store has been installed and commissioned correctly in accordance with the manufacturer's installation and servicing instructions, it was registered with Grant Engineering (UK) Limited within thirty days of installation and⁴, for cylinders/thermal stores over twelve months old, details of annual service is available³.

The following documents must be made available to Grant Engineering (UK) Limited on request:

- Proof of purchase
- Benchmark 'Installation, Commissioning and Service Record Log Book

Chargeable repairs

A charge may be made (if necessary following testing of parts) if the breakdown is due to any fault(s) caused by the plumbing or heating system, external electrics and external components. See 'Extent of manufacturer's guarantee' below.

Extent of the manufacturer's guarantee:

The manufacturer's guarantee does not cover the following:

- If the cylinder/thermal store has been installed for over **two years**
- If the cylinder/thermal store has not been installed, commissioned, or serviced by a competent person in accordance with the installation and servicing instructions.
- The serial number has been removed or made illegible.
- Fault(s) due to accidental damage, tampering, unauthorised adjustment, neglect, misuse or operating the cylinder/thermal store contrary to the manufacturer's installation and servicing instructions.
- Damage due to external causes such as bad weather conditions (flood, storms, lightning, frost, snow or ice), fire, explosion, accident or theft.
- Fault(s) due to incorrectly sized expansion vessel(s), incorrect vessel charge pressure or inadequate expansion on the system.
- Fault(s) caused by external electrics and external components not supplied by Grant Engineering (UK) Limited.
- Cylinder/thermal store servicing, de-scaling or flushing.
- Checking and replenishing system pressure.
- Pipework, electrical cables and plugs and external controls not supplied by Grant Engineering (UK) Limited.
- Heating system components, such as radiators, pipes, fittings, pumps and valves not supplied by Grant Engineering (UK) Limited.
- Instances where the cylinder/thermal store has been un-installed and re-installed in another location.
- Use of spare parts not authorised by Grant Engineering (UK) Limited.

Terms of manufacturer's guarantee:

- The Company shall mean Grant Engineering (UK) Limited.
- The cylinder/thermal store must be installed by a competent installer and in full accordance with the relevant Codes of Practice, Regulations and Legislation in force at the time of installation.
- The cylinder/thermal store is guaranteed for **two years** from the date of installation⁴, providing that after twelve months the annual service³ has been completed and the cylinder/thermal store registered with the Company within thirty days of the installation⁴. Any work undertaken must be authorised by the Company and carried out by a competent service engineer.
- The stainless steel (shell) used in the manufacture of the cylinder/thermal store is guaranteed for a period of **twenty five years** (parts only) from the date of installation⁴. This is subject to the following:
 - The cylinder/thermal store is operated correctly, in accordance with the installation and servicing instructions.
 - Proof is provided that the connecting system/s has been flushed or chemically cleaned where appropriate (refer to BS 7593) and that the required quantity of a suitable corrosion inhibitor added.
 - Proof of annual servicing (including the checking of any expansion vessels and pressure relief valves) must be provided if and when requested by the Company.
- This guarantee does not cover breakdowns caused by incorrect installation, neglect, misuse, accident or failure to operate the cylinder/thermal store in accordance with the manufacturer's instructions.
- The cylinder/thermal store is registered with the Company within thirty days of installation⁴. Failure to do so does not affect your statutory rights¹.
- The balance of the guarantee is transferable providing the installation is serviced prior to the dwelling's new owners taking up residence. Grant Engineering (UK) Limited must be informed of the new owner's details.
- The Company will endeavour to provide prompt service in the unlikely event of a problem occurring, but it cannot be held responsible for any consequences of delay however caused.
- This guarantee applies to Grant Engineering (UK) Limited cylinders/thermal stores purchased and installed on the UK mainland, Isle of Wight, Channel Islands, Isle of Man and Scottish Isles only². Provision of in-guarantee cover elsewhere in the UK is subject to agreement with the Company.
- All claims under this guarantee must be made to the Company prior to any work being undertaken. Invoices for call out/repair work by any third party will not be accepted unless previously authorised by the Company.
- Proof of purchase and date of installation, commissioning and service documents must be provided on request.
- If a replacement cylinder/thermal store is supplied under the guarantee (due to a manufacturing fault) the product guarantee continues from the installation date of the original cylinder/thermal store, and **not** from the installation date of the replacement⁴.
- The replacement of a cylinder/thermal store under this guarantee does include any consequential costs.
- The cylinder/thermal store must be connected to a mains water supply (installations utilising a private water supply are not covered by this guarantee).
- Breakdown/failure due to lime scale will not be covered by this guarantee.
- The cylinder/thermal store must not be sited in a location where it may be subjected to frost.

Hard water advice

If you live in a hard water area, protection against scaling in your cylinder/thermal store must be provided.

You should fit an appropriate scale inhibitor or water softener as any breakdown caused by water scaling is not covered by either the manufacturer's guarantee. Ask your installer for advice.

Foot notes:

1. Your statutory rights entitle you to a one year guarantee period only.
2. The UK mainland consists of England, Scotland and Wales only. Please note that for the purposes of this definition, Northern Ireland and Scilly Isles are not considered part of the UK mainland.
3. We recommend that your cylinder/thermal store is serviced every twelve months (even when the guarantee has expired) to prolong the lifespan and ensure it is operating safely and efficiently.
4. The guarantee period will commence from the date of installation, unless the installation date is more than six months from the date of purchase, in which case the guarantee period will commence six months from the date of purchase.

NOTES



GRANT ENGINEERING (UK) LIMITED

Hopton House, Hopton Industrial Estate, Devizes, Wiltshire, SN10 2EU
Tel: +44 (0)1380 736920 Fax: +44 (0)1380 736991
Email: info@grantuk.com www.grantuk.com