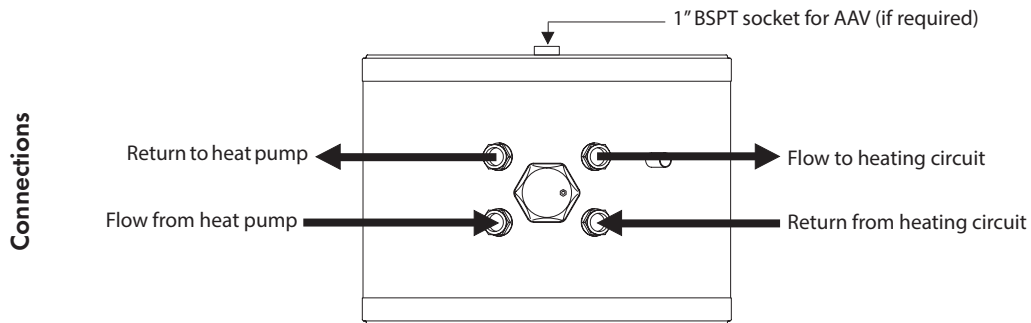
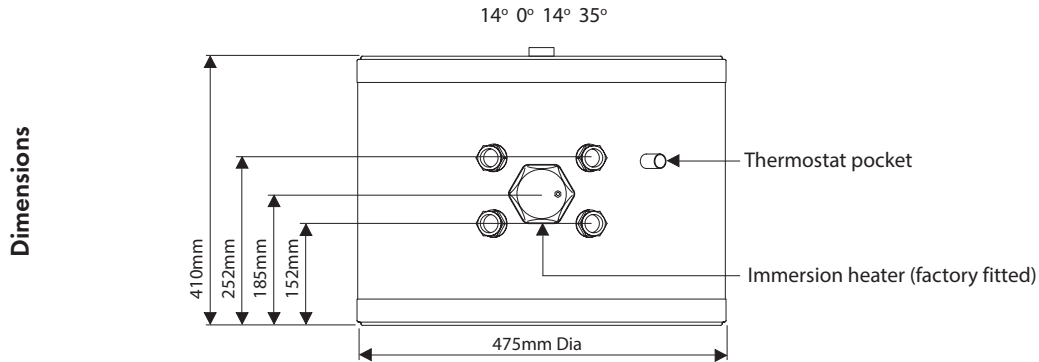


Grant Buffer Technical Specifications

50 litre buffer tank



Note: Heat pump connections and heating circuit connections can be laterally reversed, i.e. the heat pump flow and return connections can be on the right-hand side with the heating circuit connections on the left-hand side, if required.

Height (mm)		410
Diameter (mm)		475
Weight (kg)	Empty	10
	Full	58
Capacity (actual) (L)		48
Connections (BSP)		1" (5 of)
Immersion heater (factory fitted) (kW)		3 (230V 1ph 50Hz)
Immersion heater boss		1¾"
Max system operating pressure (bar)		3

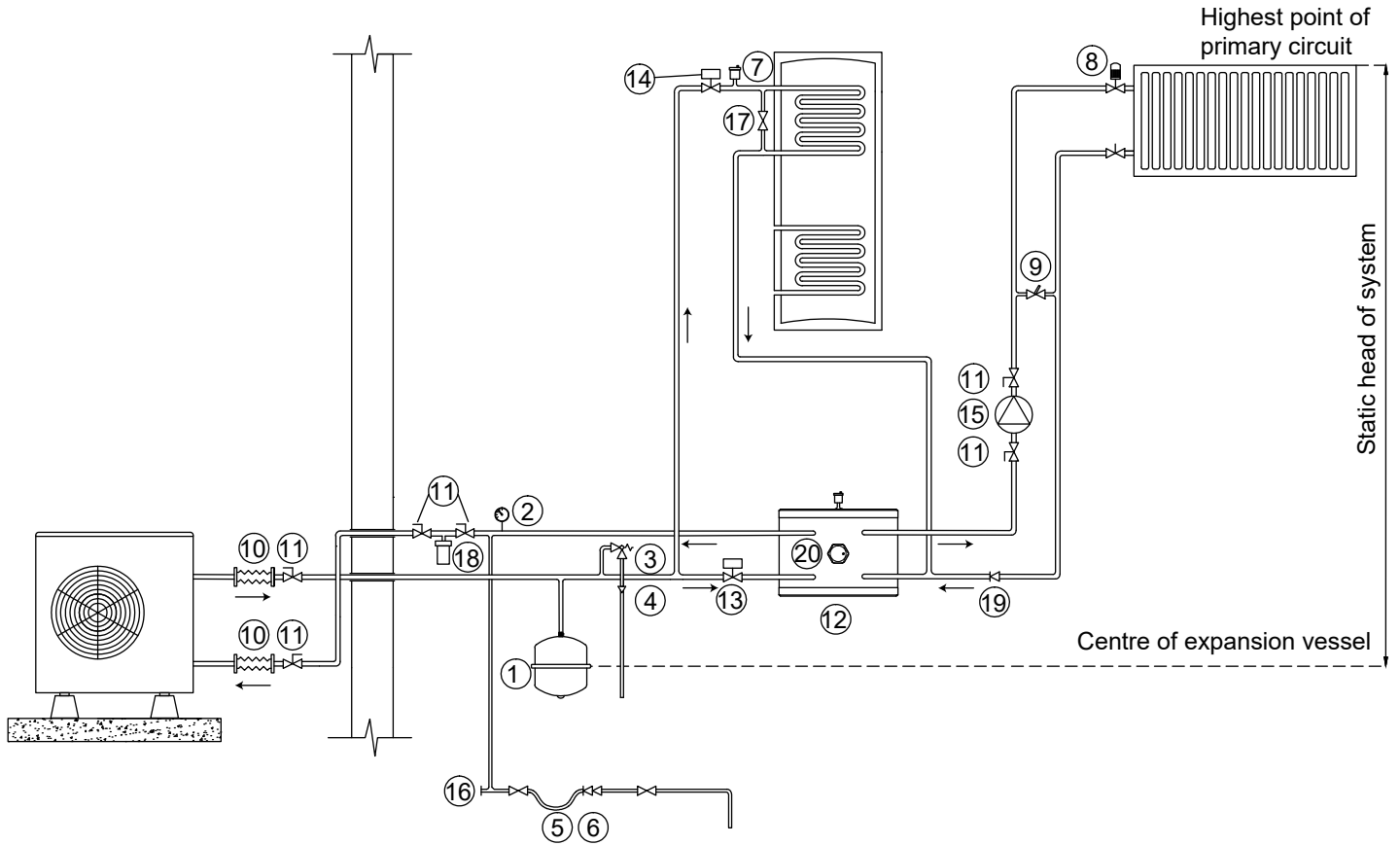
Materials

Shell	Stainless steel (duplex 2034)
Outer casing	Steel (acrylic coated)
Top/bottom caps	ABS (acrylic capped)

Insulation
Polyurethane foam (40mm thick nominal)
GWP<3 ODP=3

Grant Buffer Technical Specifications

ASHP with buffer schematic



Key	Description	Key	Description
1	Expansion vessel	11	Isolation valve
2	Pressure gauge	12	Buffer tank
3	Pressure relief valve	13	Motorised 2-port valve (CH)
4	Tundish	14	Motorised 2-port valve (DHW)
5	Removable filling loop	15	Additional circulating pump *
6	Double check valve	16	Drain point
7	Automatic air vent	17	By-pass (HPID13R32 and HPID17R32 only)
8	Thermostatic radiator valve	18	Mag One magnetic filter
9	Automatic system by-pass	19	Non-return valve
10	Flexible hose	20	3kW auxillary/back-up heater

* Refer to Section 8.3.7 of the installation instructions provided with the Aerona³ ASHP for further information.