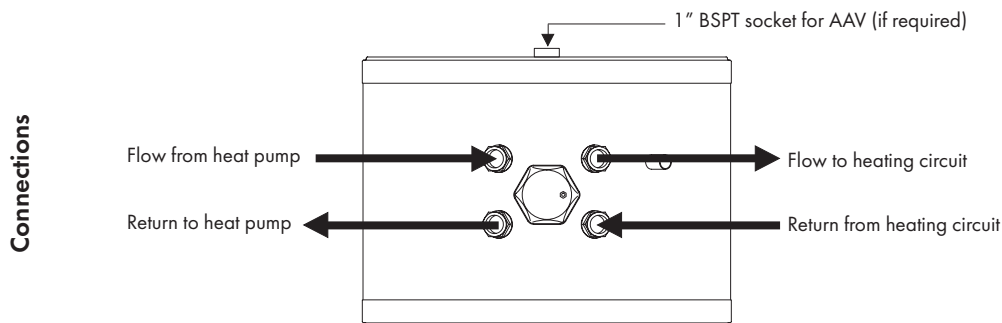
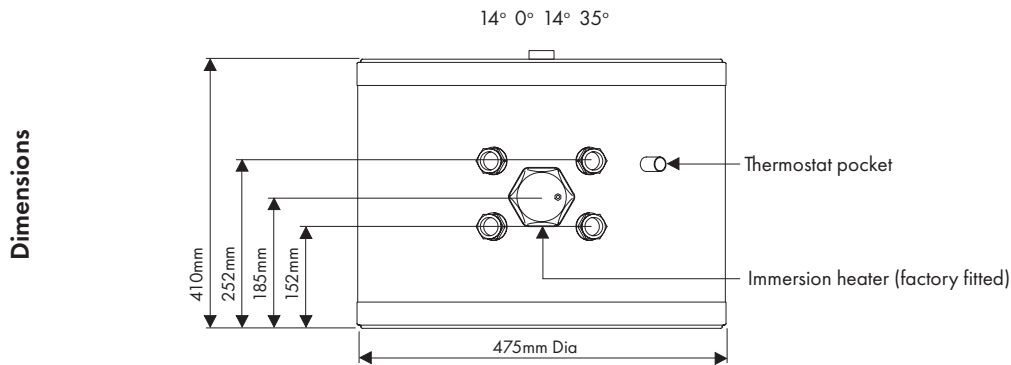


Grant Buffer Technical Specifications

50 litre buffer tank



Note: Heat pump connections and heating circuit connections can be laterally reversed, i.e. the heat pump flow and return connections can be on the right-hand side with the heating circuit connections on the left-hand side, if required.

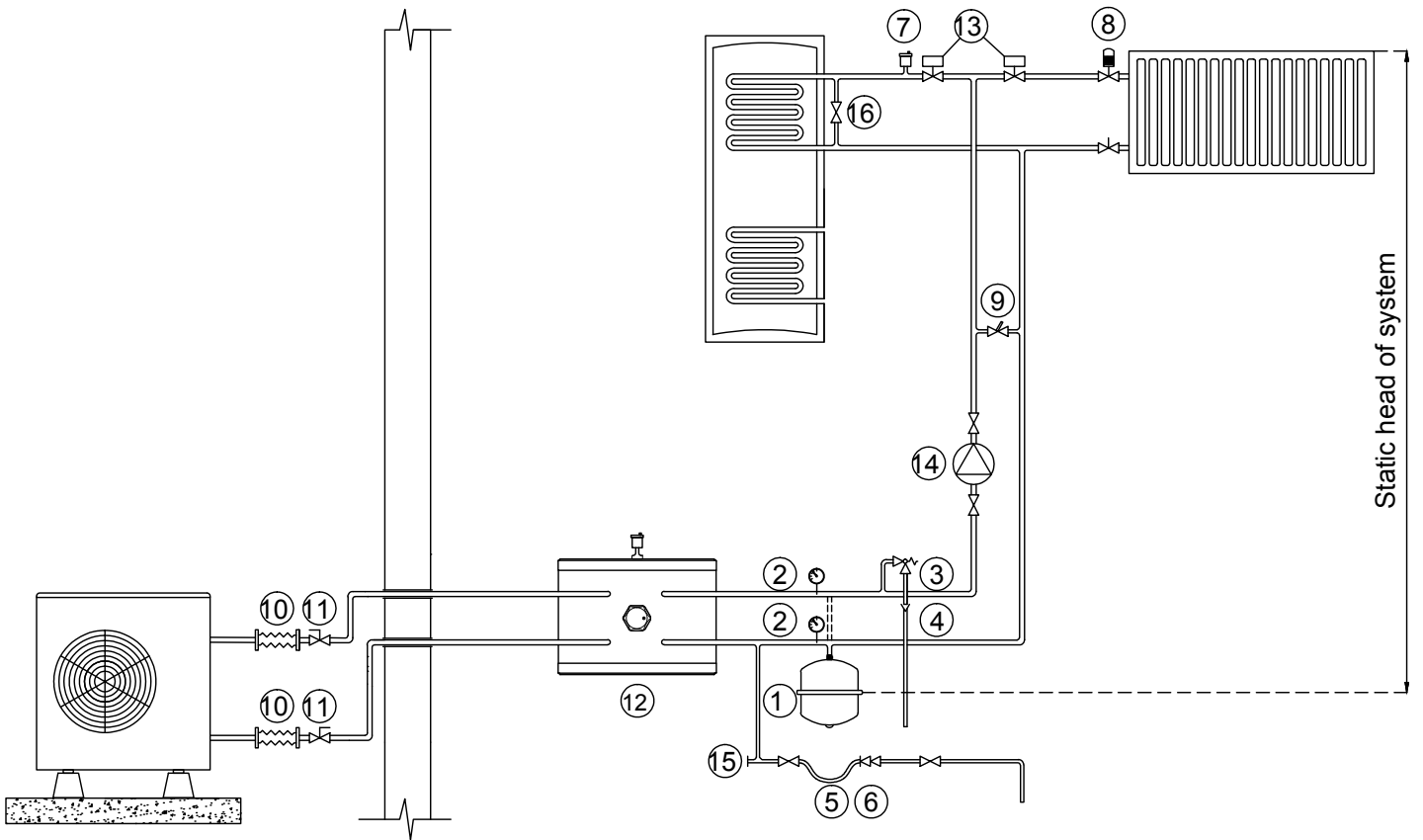
Height (mm)	410
Diameter (mm)	475
Weight (kg)	Empty 10 Full 58
Capacity (actual) (L)	48
Connections (BSP)	1" (5 off)
Immersion heater (factory fitted) (kW)	3 (230V 1ph 50Hz)
Immersion heater boss	1 3/4"
Max system operating pressure (bar)	3

Materials

Shell	Stainless steel (duplex 2034)
Outer casing	Steel (acrylic coated)
Top/bottom caps	ABS (acrylic capped)
Insulation	Polyurethane foam (40mm thick nominal) GWP<3 ODP=3

Grant Buffer Technical Specifications

ASHP with buffer schematic



Key	Description	Key	Description
1	Expansion vessel	9	Automatic bypass
2	Pressure gauge	10	Flexible hose
3	Pressure relief valve	11	Isolation valve
4	Tundish	12	Buffer tank
5	Removable filling loop	13	Motorised 2-port valve
6	Double check valve	14	Circulating pump
7	Automatic air vent	15	Drain point
8	Thermostatic radiator valve	16	Bypass - 16kW ASHP (HPID16) model only