

GRANT MAG ONE

MAGNETIC FILTER

New and improved universal design

Triple action filtration

Filters magnetite and non ferrous debris

Simple to install

Easy clean, easy drain design

12000 gauss neodymium magnet

Installation/servicing date wheel

Full bore flat face 28mm chrome isolation valves with 22mm reducers

120°C max working temperature

Manual air bleed

500ml dosing capacity

360° installation

6 bar max working pressure

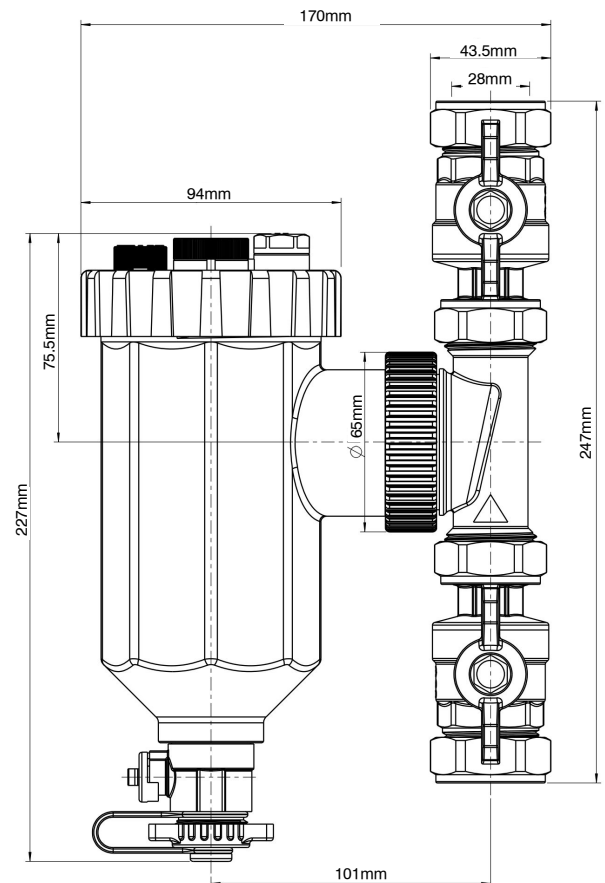
Supplied with spare sealing washers & o-rings

Heavy duty filter for non-ferrous material

Hose adaptor for remote draining

Suitable for all heating systems up to 36kW (larger systems use two in a parallel circuit)

Compatible with all system inhibitors and glycol solutions



For further information visit: www.grantuk.com
or call our sales team: +44 (0)1380 736920

