



Grant Spira Wood Pellet Boiler – Quick Commission Guide

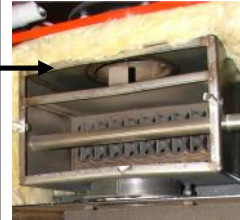


13. COMBUSTION CHECK

After checking/setting combustion chamber draught – unscrew and remove combustion test point (on top access cover of secondary heat exchanger) and insert combustion analyser probe. The 'POWER MAX' setting in the 'SETUP FAN' sub menu of the burner may need to be adjusted to achieve % CO₂ in flue gases between 10-12%. **This fan adjustment must only be made when the boiler is running at 100% output.**
Refer to Section 9.4 of the Installation Instructions for combustion adjustment.

4. WASH DOWN SYSTEM (In top of secondary heat exchanger)

Remove top access cover from secondary heat exchanger. Operate Cleaning switch to check operation of wash down system. Slacken screws and adjust manifold pipe to get one jet spraying into each flue gas tube.
Refer to Section 9.2 of the Installation Instructions.



9. DRAUGHT STABILISER

Before running boiler and checking combustion chamber draught – check that draught stabiliser is unlocked and free to move. Adjust combustion chamber draught by altering the position of the weight on the stabiliser arm.
Refer to Section 9.2 of the Installation Instructions.

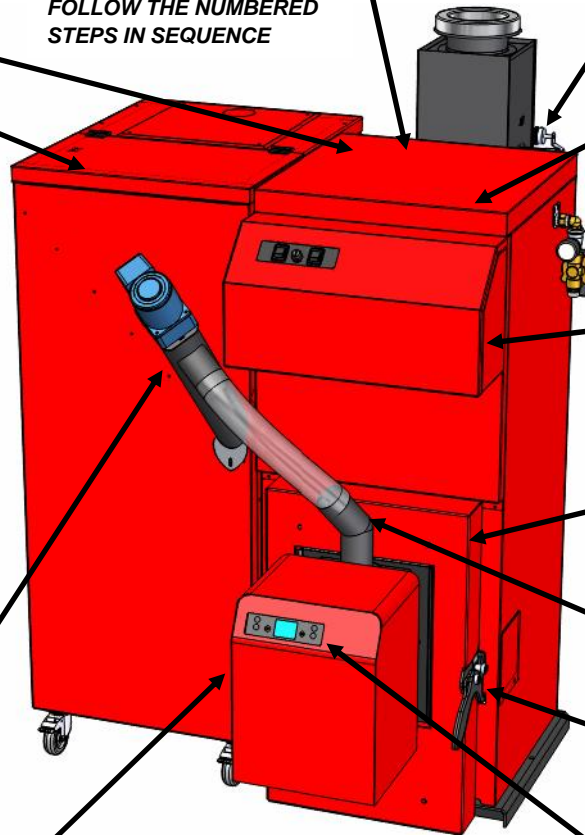


3. SHAKER SYSTEM (In top of primary heat exchanger)

Remove top access cover from primary heat exchanger. Operate Cleaning switch to check that baffle shaker system is operating freely
Refer to Section 9.2 of the Installation Instructions for location dimensions.



FOLLOW THE NUMBERED STEPS IN SEQUENCE



1. BOILER CONTROL PANEL

With power to boiler isolated - remove control panel cover. Check that control thermistor and overheat thermostat probes are both in the pocket. Replace cover before reconnecting electrical supply to boiler.



2. COMBUSTION CHAMBER

Open front access door of boiler and check: Ash pan is empty and correctly located
Top baffle is correctly located on brackets
Close front access door.
Refer to Section 9.2 of the Installation Instructions for location dimensions.



6. SAFETY CHECKS

With burner switch set to 'STANDBY':
1. Remove clip and disconnect lead from pellet tube thermostat. Power to burner is cut off and burner display goes blank. Reconnect lead and refit clip to restore power and screen display.
2. Open front access door and check operation of door cut-off switch. Power to burner is cut off and burner display goes blank. Close door to reset switch and restore power and screen display.
Refer to Section 9.4 of the Installation Instructions for safety check procedures.



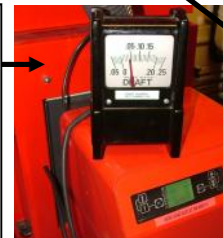
7. BURNER SETTINGS

Check all burner settings in the 'INSTAL' menu. Only the 'POWER MAX' setting (in the 'SETUP FAN' sub menu) may need to be adjusted. See 'COMBUSTION CHECK' panel above.
Refer to Section 8 of the Installation Instructions for burner setting details.



12. COMBUSTION CHAMBER DRAUGHT

After the boiler has been running for 15 mins: Unscrew and remove test point bolt (in the left side of front access door) and insert draught meter probe. Check combustion chamber draught and adjust draught stabiliser to achieve between 0.10 to 0.15 mbar (0.04 to 0.06 in.wg).
Refer to Section 9.4 of the Installation Instructions for draught adjustment details.



5. WOOD PELLETS

ONLY 6mm EN Plus A1 wood pellets MUST be used in the Grant SPIRA wood pellet boilers. **NOTE – THE USE OF ANYTHING OTHER THAN EN PLUS A1 PELLETS WILL INVALIDATE THE PRODUCT WARRANTY.**
Refer to Section 3.1 of the Installation Instructions for wood pellet specification.

10. COMBUSTION VENTILATION

IMPORTANT - Check that the required minimum area of permanent ventilation has been installed for the output of the boiler concerned. Also ensure that a CO detector is fitted in the room containing the boiler.
Refer to Section 6 of the Installation Instructions.



11. HEATING SYSTEM CONTROLS

Check operation of heating system controls, e.g. does the programmer and any room/cylinder thermostats switch the boiler off and on as required?
Refer to Section 7 of the Installation Instructions and instructions supplied with controls.



8. PRIMING THE AUGER

Before attempting to start the boiler, the auger MUST be primed.
Refer to Section 9.2 of the Installation Instructions for priming procedure.



AND FINALLY! CUSTOMER HANDOVER

The correct operation of the heating system, system controls and boiler MUST be fully explained to the user.

The user MUST be informed that only the correct wood pellets MUST be used with the Grant SPIRA boiler.

The commissioning form must be completed and a copy left with the user.

NOTE - FAILURE TO COMPLETE AND RETURN THE COMMISSIONING FORM TO GRANT UK WILL INVALIDATE THE PRODUCT WARRANTY.



Grant Spira Wood Pellet Boiler – Quick Installation Guide



FLUE BOX

Supplied with factory-fitted flue fan, draught stabiliser and flue connector.
Fit to flue outlet of boiler using the 4 x M8 screws and nuts supplied.
IMPORTANT – Ensure neoprene gasket is correctly located between outlet flange and flue box.
Refer to Section 4.7 of the Installation Instructions.



FLUE FAN

Supplied factory-fitted on the flue box.
Make electrical connection to boiler via the same 5-way plug and flying lead as wash-down manifold solenoid.
Refer to Section 6 of the Installation Instructions.



AUTO AIR VENT

Supplied loose – fit to the socket (at the left rear of the boiler) using the elbow provided.
Refer to Section 6 of the Installation Instructions.



ELECTRICAL CONNECTIONS (At rear of hopper)

Hopper supplied with 3 factory-fitted flying leads, as follows:
4-way plug – for connection of permanent live, earth and neutral and also switched live from heating control system
5-way plug – to connect boiler – to be plugged into socket at top left rear of boiler
6-way plug – to connect either a bulk pellet store auger or Grant SPIRA-VAC vacuum system to hopper and boiler.
NOTE: 6-way plug is inside wiring enclosure when delivered. Unclip and remove from enclosure only if bulk store auger or vacuum system is used.



Check selector switch (inside wiring enclosure) is set to required pellet storage option of either 'HOPPER ONLY' or 'BULK STORE'



IMPORTANT – ENSURE ALL ELECTRICAL PLUGS ARE FITTED ON THE BOILER BEFORE CONNECTING POWER SUPPLY TO HOPPER
Refer to Section 7 of the Installation Instructions.

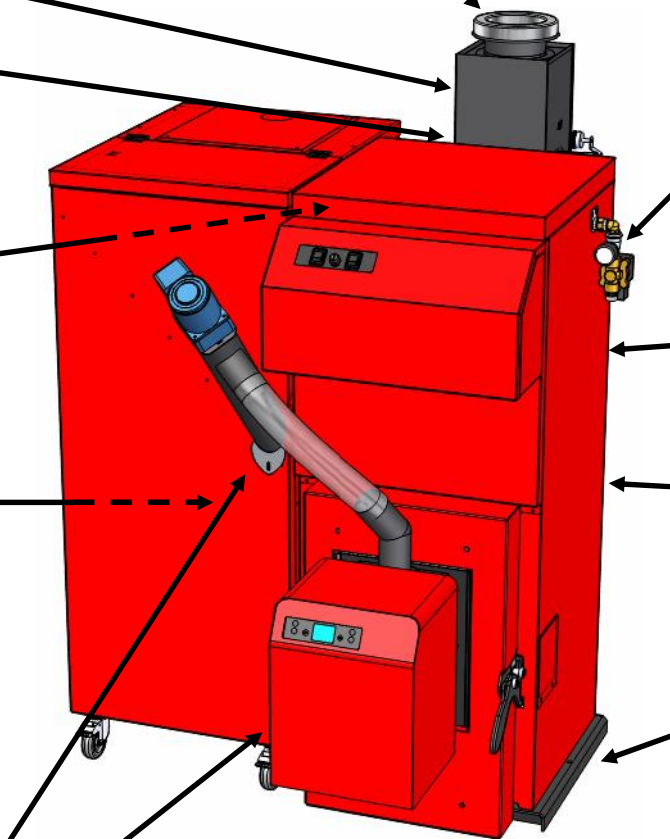


PELLET FEED AUGER

Fit the auger into opening in front of pellet hopper and secure using single screw fixing.
Fit flexible pellet tube between pellet auger outlet and burner pellet pipe.
Refer to Section 1 of the Installation Instructions.

FLUE SYSTEM

Grant Spira 26 and 36 kW boilers **MUST** use the Grant 125mm twin wall insulated **BLACK** flue system **ONLY**.
Flue is connected to the boiler via the flue connector on the flue box.
Flue system must **NOT** be supported on the boiler flue box.
Refer to Section 6 of the Installation Instructions.



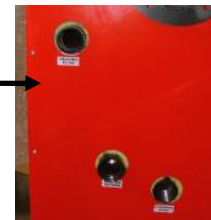
WASH DOWN MANIFOLD

The manifold pipe is supplied factory-fitted in right hand side of the boiler. Note: This will need to be removed and re-fitted into left hand side of boiler when right hand hopper is to be used (i.e. hopper located on right hand side of boiler).
Fit gauge/valve assembly to end of manifold pipe using the 22mm compression elbow.
Fit solenoid onto valve shaft and secure with clip provided.
Connect flexible hose to mains water supply via double check valve, with 15mm compression fitting.
Make electrical connection to boiler via the same 5-way plug and flying lead as flue fan. Plug into socket at top right rear of boiler.
Refer to Section 4.7 of the Installation Instructions.



FLOW & RETURN CONNECTIONS (At rear of boiler)

Spira 6-26kW: 1" BSP female
Spira 9-36kW: 1 1/4" BSP female
Refer to Section 2.4 of the Installation Instructions for location dimensions.



CONDENSATE OUTLET (At rear of boiler)

The Condensate trap supplied with the boiler **MUST** be used. Connect this to the 1 1/4" female connection in back of boiler. Discharge pipe from trap **MUST** be in 40mm (1 1/2") plastic waste pipe for both 6-26 and 9-36 boilers.
Refer to Section 5 of the Installation Instructions for details of condensate disposal methods.



BOILER LOCATION

Boiler must be installed in an internal damp free environment (with the required clearances) on a non-combustible surface – in accordance with Building Regs Part J.
Refer to Section 2.4 of the Installation Instructions for installation clearances and base dimensions.

ELECTRICAL PLUGS (on side of burner)

Fit the two plugs from boiler control panel into the lower connections.
Fit plug from pellet auger into the upper connection.
IMPORTANT – CHECK PLUGS ARE FULLY PUSHED IN UNTIL THEY 'CLICK'.
Refer to Section 7 of the Installation Instructions.



REMINDER – HEATING SYSTEM TREATMENT!

The heating system **MUST** be fully flushed, using a suitable flushing agent, **BEFORE** being finally filled.
A suitable corrosion inhibitor **MUST BE** added to the system water, in accordance with the manufacturer's instructions.
A magnetic in-line filter device **MUST** be installed in the system pipework and regularly serviced in accordance with the manufacturer's instructions
NOTE - FAILURE TO FOLLOW THE ABOVE INSTRUCTIONS WILL INVALIDATE THE PRODUCT WARRANTY.